



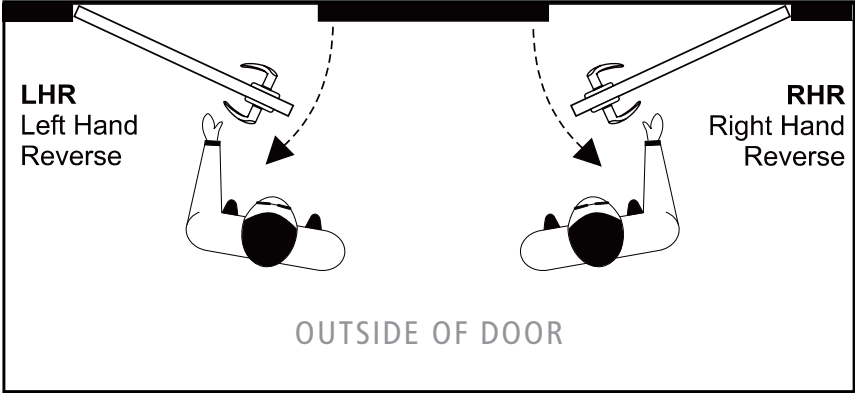
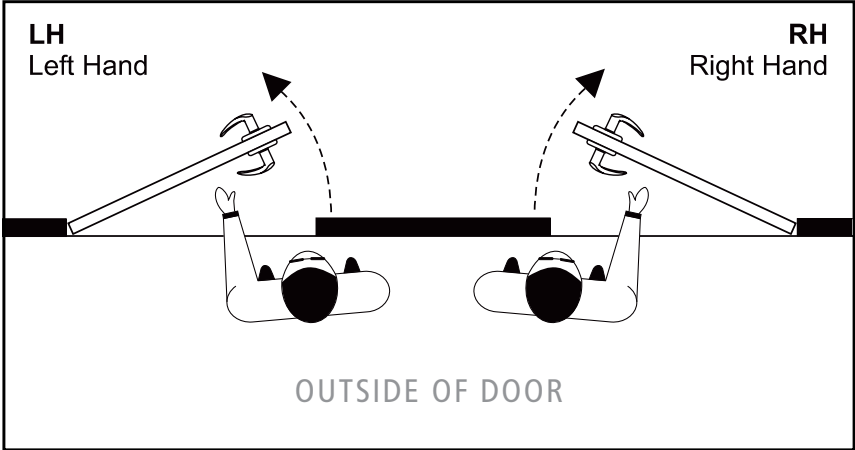
Table of Contents

CATEGORY	PRODUCT/DESCRIPTION	PAGE	
	Handing Chart.....	5	
LOCKS & ACCESSORIES	Touchscreen Digital Lock.....	6–7	
	Heavy Duty Commercial Cylindrical LHV Locks - Grade 1.....	8	
	Standard Duty Commercial Cylindrical LSV Locks - Grade 2.....	9	
	Medium Duty Commercial Cylindrical LDV Locks - Grade 2.....	10	
	Residential Cylindrical ECL Latchset - Grade 3.....	11	
	General Lock Information.....	12	
	Deadlatches, Springlatches, Strikes.....	13	
	ASIL Adjustable - Simultaneous Retraction Interconnected Locks - Grade 2.....	14	
	Deadbolts - 800 Series Deadbolt - Grade 1.....	15	
	Deadbolts - Standard Duty Commercial 700 Series Deadbolt - Grade 2.....	16	
	Deadbolts - Standard Duty 200 Series Deadbolt - Grade 3.....	17	
	Heavy Duty Commercial Mortise Locks.....	18	
	Mortise Locks - Function Chart.....	19	
	Heavy Duty Rim Exit Device 700 Series - Grade 1.....	20	
	Heavy Duty Vertical Rod Exit Device 700 Series - Grade 1.....	21	
	Heavy Duty Vertical Rod Fire Rated Less Bottom Rod 700 Series - Grade 1.....	22	
	Heavy Duty Concealed Vertical Rod Exit Device 700 Series - Grade 1.....	23–24	
	EXITS & ACCESSORIES	Exit Device Trim - Escutcheon Levers - 700 Series.....	25
		Exit Device Trim - Pull & Thumbpiece - 700 Series.....	25
		Glass Bead Shim Kit - 700 Series.....	26
Overlapping Strike - 700 Series.....		26	
Firebolt - 700 Series.....		26	
Exit Alarm Kit - 700 Series.....		26	
Exit Device - Standard Duty Commercial Rim 500 Series.....		27	
Exit Device - Standard Duty Commercial Surface Vertical Rod 500 Series.....		28	
Exit Device Trim - 500 Series.....		29	
Exit Device Pull Trim - 500 Series.....		29	
Exit Device Alarm Kit - 500 Series.....		29	
Exit Device Vertical Rod Extension - 500 Series.....		29	
Exit Device Vertical Rod Back Plate - 500 Series.....		29	

CATEGORY	PRODUCT/DESCRIPTION	PAGE
MULLIONS	Mullions	30
CLOSERS	Extra Heavy Duty Door Closers - DC40.....	31
	Heavy Duty Door Closers - DC851	32
	Heavy Duty Door Closers - DC70.....	33
	Standard Duty Door Closer - DC161	34
	Standard Duty Door Closer - DC50.....	35
	Closer Drop Plates.....	36
ELECT. HOLDER	Electro-Magnetic Door Holder	37
COORDINATORS	Coordinators and Accessories	38
AUTO FLUSH	Automatic Flushbolts - For Metal and Wood Doors.....	39
MANUAL FLUSH	Manual Flushbolts.....	40
DUST STRIKES	Dust Proof Strikes.....	41
HINGES	Commercial Hinges	42–45
	Continuous Geared Aluminum Hinges	46–47
	Residential Hinges	48
PLATES	Pushes and Pulls	49
	Kick Plates	49
GEN. H/W	Door Guards.....	50
	Viewers	50
	Door Holders	51
	Wall Stops	51
	Floor Stops	52
	Roller Latches.....	53
	Ball Catches	54
	ADA Signs	55
BARN DOOR	Premium Sliding Barn Door Hardware Kits.....	56–60
HARDWARE	American Rustic Sliding Barn Door Hardware Kits	61–63
	DesignGlide Soft-Close Barn Door Hardware Kits	64
	Sliding Barn Door Hardware Accessories.....	65–69
	Premium Pulls	65
	Rustic Pulls.....	66
	Guides.....	67
	Misc.	68–69
WARRANTY	Doormerica Warranty	70



Handing Chart



Touchscreen Digital Lock with Smart+ Prox Card

DMH Touch



FEATURES:

- Stand-alone touchscreen responds to human touch enabling convenient entrance or access to programming menu. After operation has been completed, the lock reverts to sleep mode.
- Grade 1 lockset with electronic modern touchscreen.
- Easy programmable menu
- Smart+ Prox card compatible - slim "no slot" design.
- Convenient wake-up button illuminates and activates easy-to-read key pad.
- Low battery indicator
- Allows up to 1,000 individual user codes and credentials
- Free wheeling lever mechanism
- 9-volt battery terminal for emergency power supply
- Saturn lever design
- Allows continuous entry for non-restricted traffic
- Non-handed, field reversible
- Wake-up Button activates and illuminates the number pad for PIN code and Prox Card entry
- Includes 2 Smart+ Prox Cards with additional cards available



CODE COMPLIANCE:

- ANSI/BHMA - Certified ANSI/BHMA A156.2 Series 4000, Grade 1 strength and operational requirements
- A.D.A. - All levers conform to ADA requirements for barrier-free accessibility
- UL/cUL - UL listed to U.S. and Canadian safety standards for 3-hour doors. Letter F and UL symbol latch fronts indicate listing
- Positive Pressure - Meets UL 10C and UBC 7-2(1997)
- California State Reference Code - Levers with less than 1/2" (13mm) returns comply: Levers returns to within 1/2" (13mm) door face

WARRANTY - ONE YEAR FROM DATE OF INSTALLATION

Touchscreen Digital Lock with Smart+ Prox Card

DMH Touch

SPECIFICATIONS:

- **User PIN Code**
1,000 individual user codes + credentials
- **Smart+ Prox Card**
 - Compatible with existing MIFARE infrastructures
 - Operates at 13.56 MHz in accordance with ISO14443A
 - Inductive Distance up to 1-3/16" (~30mm)
 - PVC 1/32" x 2-1/8" x 3-3/8"
(.076mm x 54mm x 85.6mm)
- **Handing**
Non-handed, field reversible levers
- **Lever mechanism**
Free wheeling lever mechanism. When the outside lever is locked, it will rotate freely up and down while remaining securely locked.
- **Door thickness**
1-3/8" ~2" (35mm~51mm) standard
- **Backset**
2-3/4" (70mm) standard or 2-3/8" (60mm)
- **Faceplate**
1-1/8" x 2-1/4" (28mm x 57mm) square corner, beveled, for 2-3/4" (70mm) backset standard
1" x 2-1/4" (25mm x 57mm) square corner, beveled, for 2-3/8" (60mm) backset optional
- **Strike**
ANSI Curved lip strike 1-1/4" x 4-7/8" x 1-3/16" (32mm x 124mm x 30mm) lip to center standard. Optional ("T", "Full-lip") strike available on request.
- **Exposed Trim**
Lever: pressure cast zinc, plated to match finish symbols. All metal escutcheon provide quality and durability.
- **Latchbolt**
1/2" (13mm) throw solid brass, deadlocking on keyed function
- **Lever design**
Saturn
- **Cylinder**
6-pin solid brass "Schlage C" keyway standard with two brass keys per lock
- **Finish**
10A/26D
- **Power source**
 - Powered by 4 AA Alkaline battery with optional hardwire
 - 9-volt battery terminal for emergency power supply
- **Environmental performance**
 - Weather resistant
 - Temperature ranging from -30°F~150°F (-30°C~+66°C) at 85% relative humidity

PROGRAMMING FUNCTIONS:

- **Master PIN code**
It is used for programming and register some kinds of PIN codes. It can open door and factory default setting.
- **User PIN code**
It can open door and registered up to 1,000 codes, 3-6 digits
- **One-time user PIN code**
It can only be used once and the PIN code information is deleted automatically after use.
It can be registered up to 3 different codes, 3-6 digits.
- **Manager PIN code**
It can open the door with lockout mode and be used like User PIN code. It can be registered up to 3 different codes, 3-6 digits.
- **Smart+ Prox Card**
It can be registered with each registration number (No.1~999) consecutively by Master PIN code.
If not needed anymore, delete registration number only.
- **Passage Mode**
Enabling Passage mode allows continuous entry for non-restricted traffic. Passage mode enabled or disabled through feature programming by either the Master or Manager PIN code. When the unit is in Passage Mode, the unlocked padlock icon will appear on the screen.
- **Lock-out Mode**
This feature is enabled by either the Master or Manager PIN Codes. When enabled, it restricts all User PIN Code access except Master and Manager PIN Codes. When the unit is in Lock-out, the padlock will appear on the screen.
- **Low Battery**
When battery power is low, the low battery icon will begin blinking. If battery power is completely lost, the key and cylinder can be used or the 9-volt battery terminal can be used for emergency power.
- **Auto Re-lock time**
After successful code entry and the unit unlocks, it will automatically re-lock in a default of five (5) seconds. Re-lock time can be changed by either Master or Manager PIN code.
- **Sound Volume**
Can be changed by either Master or Manager PIN code. The factory default is 2 Level. (Min 1- Max 3, Mute 4).

Item	10A	26D
DMHTOUCH	•	•
DMHSMARTCARD	n/a	

Heavy Duty Commercial Cylindrical Locks

LHV (Grade 1)



Saturn



Sparta



Tubular

FEATURES:

- Non-handed and reversible
- 2-3/4" backset, 1-1/8" x 2-1/4" faceplate, UL 3-hour fire listed stainless steel latch or deadlatch
- 1-1/4" x 4-7/8" ANSI Strike
- Schlage "C" 6-pin keyway standard
- Saturn, Sparta and Tubular lever design
- Barrier-free and returns within 1/2" of the door face
- Door thickness 1-3/4" - 2"

OPTIONS:

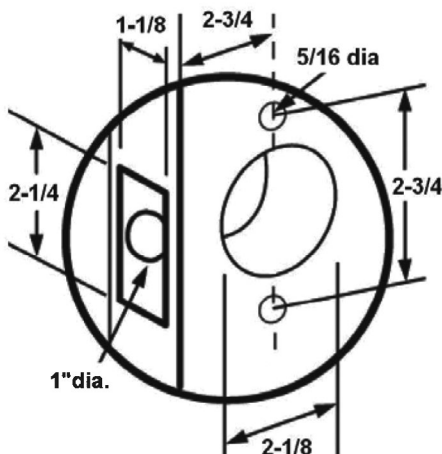
- CL - Clutch Function - Lever rotates without unlatching lock
- IC - Small Format Interchangeable Core available for Saturn and Sparta lever design (core NOT included)
- LFC - Large Format Interchangeable Core available for Saturn lever design (core NOT included)
- Additional backset, springlatch, deadlatch, and accessory options available (see page 13)



CODE COMPLIANCE:

- ANSI A156.2 Grade 1. UL10C and UBC 7.2 for positive pressure
- ANSI A117.1 and ADA for barrier-free accessibility
- C-UBC California Amended Uniform Builders Code - 2001
- NFPA-80 National Fire Protection - 1999
- NFPA-101 National Fire Protection - Life Safety 2000

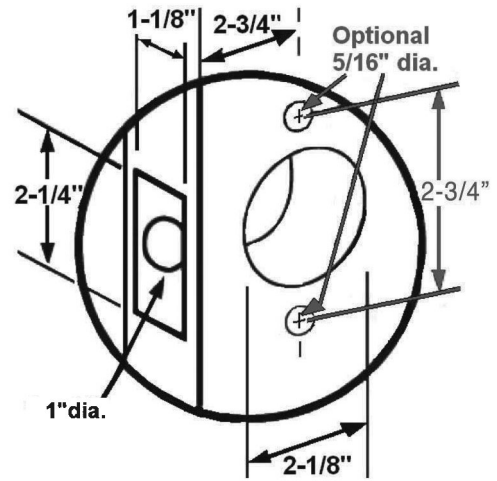
LIMITED LIFETIME WARRANTY



Item	Sparta 26D	Sparta 10B	Saturn 26D	Saturn 10B	Tubular 26D	Saturn BLK
LHV10	•	•	•	•	•	•
LHV40	•	•	•	•	•	•
LHV50	•	•	•	•	•	•
LHV53†	•	•	•	•	•	•
LHV70‡	•	•	•	•	•	
LHV80	•	•	•	•	•	•
LHV170	•	•	•	•		

Standard Duty Commercial Cylindrical Locks

LSV (Grade 2)



FEATURES:

- Non-handed and reversible
- 2-3/4" backset, 1-1/8" x 2-1/4" faceplate, UL 3-Hour fire listed stainless steel latch or deadlatch
- 1-1/4" x 4-7/8" ANSI strike
- Schlage "C" 6-pin keyway standard
- Barrier-free & returns within 1/2" from the door face
- Saturn and Sparta Lever Trim
- Door thickness 1-3/8" - 1-3/4"
- RTB - Removable throughbolt supplied but NOT installed

OPTIONS:

- CL - Clutch Function - Lever rotates without unlatching the lock
- IC - Small Format Interchangeable Core available (core NOT included)
- Additional backset, springlatch, deadlatch, and accessory options available (see page 13)



CODE COMPLIANCE:

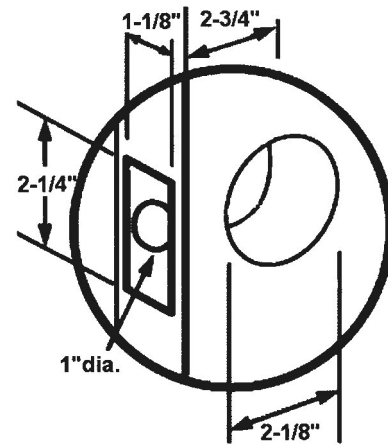
- ANSI A156.2 Grade 2. UL10C and UBC 7.2 for positive pressure
- ANSIA117.1 and ADA for barrier-free accessibility
- C-UBC California Amended Uniform Builders Code -2001
- NFPA-80 National Fire Protection Assoc.-1999
- NFPA-101 National Fire Protection-Life Safety 2000

LIMITED LIFETIME WARRANTY

Item	Sparta 10B	Sparta 26	Sparta 26D	Sparta US3	Saturn 10B	Saturn 26	Saturn 26D	Saturn US3	Saturn BLK
LSV10	•		•	•	•	•	•	•	•
LSV20			•		•		•		
LSV40	•		•		•	•	•	•	•
LSV53	•		•		•	•	•	•	•
LSV80	•	•		•	•	•	•	•	•
LSV20†					•		•		
LSV53‡					•		•		
LSV80‡					•		•		
LSV70					•	•	•	•	
LSV170			•						

Medium Duty Commercial Cylindrical Locks

LDV (Grade 2)



FEATURES:

- Non-handed and reversible
- 2-3/4" backset, 1-1/8" x 2-1/4" faceplate
- PLKASA - 4-7/8" x 1-1/4" ANSI strike
- Schlage "C" 6-pin keyway standard
- Sparta and Saturn lever trim
- Barrier-free and returns within 1/2" from the door face
- Door thickness 1-3/8" - 1-3/4"

Additional backset, springlatch, deadlatch, and accessory options available (see page 13)



CODE COMPLIANCE:

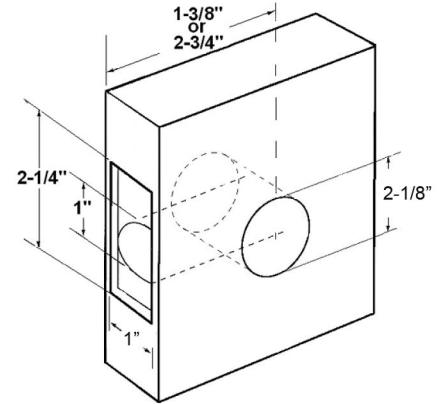
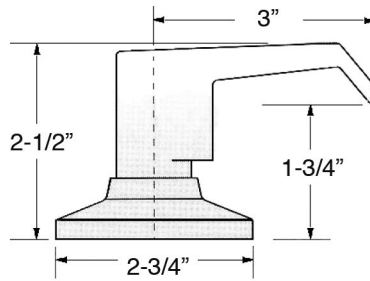
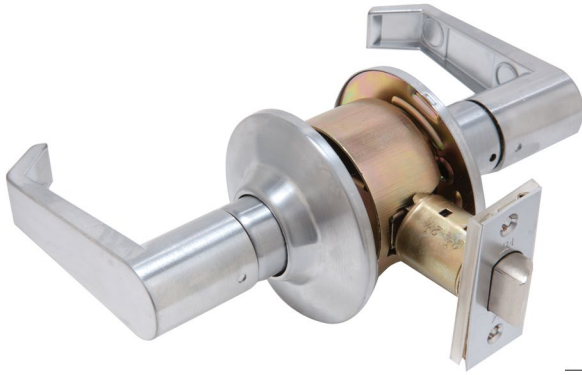
- ANSI A156.2 Grade 2. UL10C and UBC 7.2 for positive pressure
- ANSIA117.1 and ADA for barrier-free accessibility
- C-UBC California Amended Uniform Builders Code - 2001
- NFPA-80 National Fire Protection Assoc. - 1999
- NFPA-101 National Fire Protection - Life Safety 2000

1 YEAR LIMITED WARRANTY

Item	Sparta 26D	Saturn 26D
LDV10	•	•
LDV20	•	•
LDV40	•	•
LDV53	•	•
LDV70	•	•
LDV80	•	•
LDV170	•	•

Residential Cylindrical Latchset

ECL (Grade 3)



FEATURES:

- Non-handed and reversible
- 1" x 2-1/4" faceplate springlatch
- PLKT-2-3/4" x 1-1/4" - "1" strike
- LEV lever trim only
- Barrier-free
- Door thickness 1-3/8" - 1-3/4"

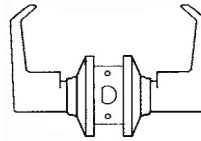


CODE COMPLIANCE:

- ANSI A117.1 and ADA for barrier-free accessibility
- NFPA101 National Fire Protection - Life Safety 2000

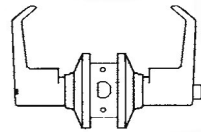
1 YEAR LIMITED WARRANTY

FUNCTIONS:



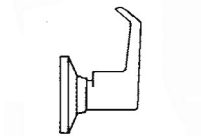
ECL10 Passage

- Latch by lever either side
- Both levers always free



ECL40 Privacy

- Latch by lever either side
- Outside lever locked by push button
- Outside lever unlocked by emergency release or by rotating inside lever
- Inside lever always free



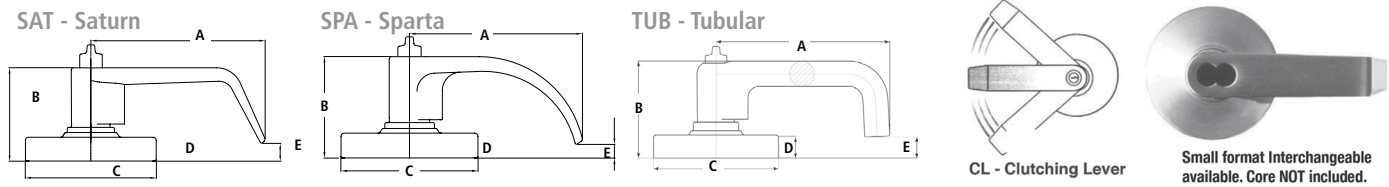
ECL170 Dummy










- Lever acts as pull only
- No operation

Item	Style	10B	26D	US3
ECL10	LEV	•	•	•
ECL40	LEV	•	•	•
ECL170	LEV		•	

General Lock Information

LEVER DIMENSIONS		A	B	C	D	E
LHV-SAT-SATURN	Grade 1	4-15/16	2-1/2	3-9/16	5/8	1/2
LHV-SPA-SPARTA	Grade 1	4-31/32	2-17/32	3-1/2	5/8	1/2
LHV-TUB-TUBULAR	Grade 1	4-15/16	2-13/32	3-9/16	5/8	1/2
LSV-SAT-SATURN	Grade 2	4-5/8	2-1/2	3-3/8	11/16	1/2
LSV-SPA-SPARTA	Grade 2	4-17/32	2-7/16	3-5/16	11/16	1/2
LDV-SAT-SATURN	Grade 2	4-5/16	2-1/2	2-15/16	1/2	1/2
LDV-SPA-SPARTA	Grade 2	4-17/32	2-7/16	3-5/16	11/16	1/2



	Function	ANSI	Function Description	LHV	LSV	LDV	ECL
	10	Passage F75	Latchbolt operated by handle from either side at all times	LHV10	LSV10	LDV10	ECL10
	20	Exit F111	Blank plate outside, inside lever always free	N/A	LSV20	LDV20	N/A
	40	Privacy F76	Push button locking from inside. Lock can be opened from outside with narrow flat-head screw driver or rotating inside lever	LHV40	LSV40	LDV40	ECL40
	50	Office	Entrance/Office Lock. Push-button locking. Push-button locks outside lever until unlocked with key or by rotating inside lever	LHV50	N/A	N/A	N/A
	53	Entrance F82	Pushing inside button locks outside trim requiring key to unlock. Pushing and twisting button locks outside lever and always requires a key to unlatch. Inside lever always allows free egress	LHV53	LSV53	LDV53	N/A
	70	Classroom F84	Outside lever locked or unlocked by key. Inside lever always allows free egress	LHV70	LSV70	LDV70	N/A
	75	Intruder Classroom* F110	Deadlocking latchbolt operated by handle from either side (inside handle always operates latchbolt). Key either inside or outside locks or unlocks outside handle. Key from either side retracts latchbolt.	LHV75	N/A	N/A	N/A
	80	Storeroom F86	Outside lever always locked. Key unlatches only. Inside lever always allows free egress	LHV80	LSV80	LDV80	N/A
	170	Dummy	Dummy trim for one side of door	LHV170	LSV170	LDV170	ECL170

*The rose provides an intuitive marking etched into it to provide the user with a permanent visual indicator to identify which way to turn the key in order to lock the door from the interior or classroom side. The visual indicator may reduce the time required to ensure the lock is secure if the threat of an intruder were identified.

Deadlatches and Springlatches

Square Corner Latches



2-3/8" Backset Springlatch



2-3/8" Backset Deadlatch



2-3/4" Backset Springlatch



2-3/4" Backset Deadlatch



PLSVEXT5
Extension for Backset

Item	Style	US3	10B	26D
PLHVSL238	Grade 1		•	•
PLHVDL238	Grade 1		•	•
PLHVSL234	Grade 1		•	•
PLHVDL234	Grade 1		•	•
PLSVSL238	Grade 2	•	•	•
PLSVDL238	Grade 2	•	•	•
PLSVSL234	Grade 2	•	•	•
PLSVDL234	Grade 2	•	•	•
PLSVEXT5	unfinished			

Standard Faceplate:

1-1/8" x 2-1/4"

Optional Faceplate:

1" x 2-1/4" stocked for LSV (DL and SL) in 2-3/4" and 2-3/8" BS (please specify). Comes with 1-1/8" Adapter Filler.

Round Corner Latches

PLSVDL23826D-1RD	2-3/8" backset, deadlatching (G2) – 1" faceplate
PLSVSL23826D-1RD	2-3/8" backset, springlatching (G2) – 1" faceplate
PLSVDL23426DRD	2-3/4" backset, deadlatching (G2)
PLSVSL23426DRD	2-3/4" backset, springlatching (G2)
PECL26DRD	Adjustable backset, springlatching (G3) – 1" faceplate

Item	26D
PLSVDL23826D-1RD	•
PLSVSL23826D-1RD	•
PLSVDL23426DRD	•
PLSVSL23426DRD	•
PECL26DRD	•

Strikes



PLKASA
4-7/8" x 1-1/4"
ASA



PLKT
2-3/4" x 1-1/4"
"T" Strike



PLKFL
2-1/4" x 1-1/4"
Full Lip Strike

Item	Style	US3	10B	26D
PLKASA	ASA Strike 4-7/8 x 1-1/4	•	•	•
PLKT	"T" Strike 2-3/4 x 1-1/4	•	•	•
PLKFL	Full Lip Strike 2-1/4 x 1-1/4	•	•	•

ASIL Adjustable

Simultaneous Retraction Interconnected (Grade 2)



Saturn Lever pictured

FEATURES:

- ESCUTCHEON - 6-7/8" x 2-5/8" Brass interconnecting plate
- LATCHBOLT - 2-3/4" backset, UL 3-hour fire listed with 1/2" throw
- DEADBOLT - 2-3/4" backset, 1" throw brass with hardened steel pins
Deadbolt adjustable 2-3/8"–2-3/4"
- PLKT - Lockset strikes & 2-3/4 x 1-1/8" latch strike
- PDBS - Deadbolt strikes & 2-3/4 x 1-1/8" deadbolt strike
- Schlage "C" 6-pin keyway
- ASIL CTC 4" or 5-1/2"

Additional backset, springlatch, deadlatch, and accessory options available (see page 13)

FUNCTIONS:

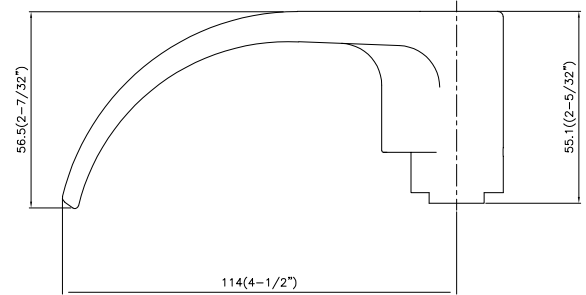
- ASIL10 - Single locking deadbolt thrown or retracted by deadbolt key or inside thumb turn. Outside lever always retracts latch. Inside lever simultaneously retracts the deadbolt and latch for immediate egress.
- ASIL53 - Double locking deadbolt may be thrown or retracted by outside key or inside thumb turn. The lever may be locked or unlocked by key or rotating inside turn button. Turning inside lever always simultaneously retracts both deadbolt and latch for immediate egress.



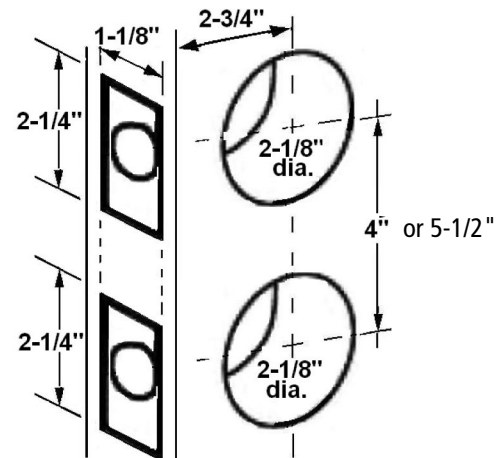
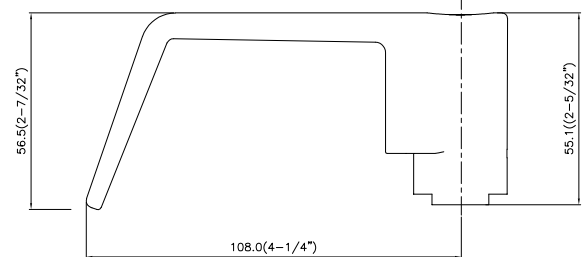
CODE COMPLIANCE:

- ANSI A156.12 Grade 2. UL10C and UBC 7.2 for positive pressure
- ANSI A117.1 and ADA for barrier-free accessibility
- C-UBC California Amended Uniform Builders Code - 2001
- NFPA-80 National Fire Protection Association - 1999
- NFPA-101 National Fire Protection Association Life Safety - 2000

Lever Handle – SPA



Lever Handle – SAT

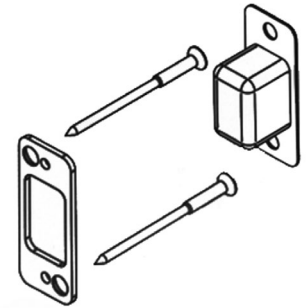
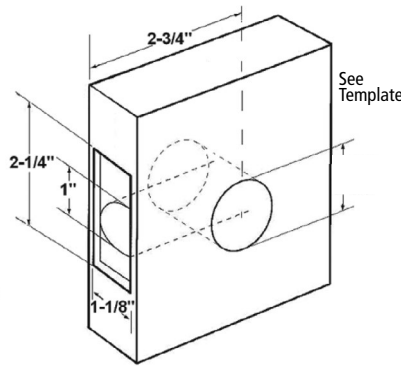
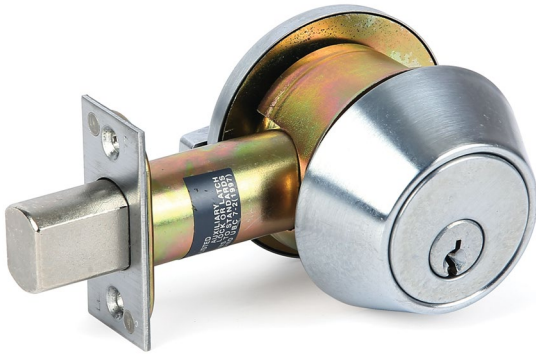


LIMITED LIFETIME WARRANTY

Item	Style	10B	26D	BLK
ASIL10	Saturn	•	•	•
ASIL10	Sparta	•	•	
ASIL53	Saturn	•	•	
ASIL53	Sparta	•	•	

Deadbolts

800 Series (Grade 1)



Wood Door Frame Reinforcer
(concealed under strike/deeply anchored to jamb with 2 3" screws)

FEATURES:

- Tested to exceed 250,000 operational cycles ANSI Grade 1 requirements for durability
- 3" steel screws provide the added strength to prevent break-in attacks on wood doors (exclusive concealed wood frame reinforcer protects wood jambs from kick-in attacks)
- 1" throw, high-strength deadbolt with hardened steel roller resists sawing and kick-in attacks
- Standard dust box includes additional space inside strike box for true deadlatch (provides deep anchoring and added strength)
- Concealed screws on double cylinder deadbolts for enhanced security and safety

SPECIFICATIONS:

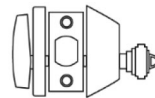
- Handing Non-handed
- Door Thickness 1-3/8" - 1-3/4"
- Backset 2-3/4" standard
- Faceplate 1-1/8" x 2-1/4" standard
- Dead bolt 1" throw with saw resistant hardened steel roller inserted
- Strike 1-1/8" x 2-3/4" metal and wood strikes with strike reinforcement supplied standard
- Cylinder 5 & 6-pin solid brass "Schlage C" keyway standard with two brass keys per lock
- Keyways Keyways available for most major manufacturers with factory lead time

OPTIONS:

- SFIC compatible 6 or 7-pin cores with Best style, LFIC works with a Schlage 23-030 cylinder
- Master keying available

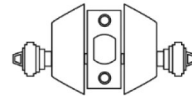
FUNCTIONS:

DB851 Single Cylinder



- Deadbolt thrown or retracted by key from outside or by turning inside turn
- Bolt automatically deadlocks when fully thrown

DB860 Double Cylinder



- Deadbolt thrown or retracted by key from either side
- Bolt automatically deadlocks when fully thrown



CODE COMPLIANCE:

Meets ADA Requirements specifically designed for Barrier Free Application
ANSI/BHMA A156.36 Series 600, Grade 1 strength and operational requirements
UL listed to USA and Canadian safety standards listed for 3-hour doors meets UL 10C and UBC 7-2 (1997) Positive Pressure

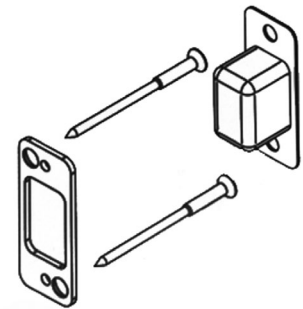
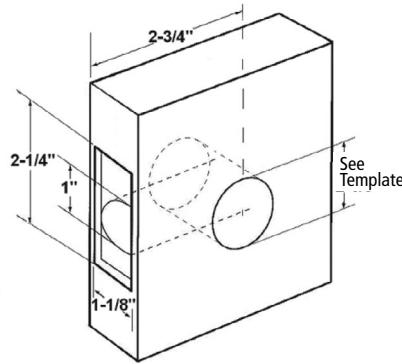
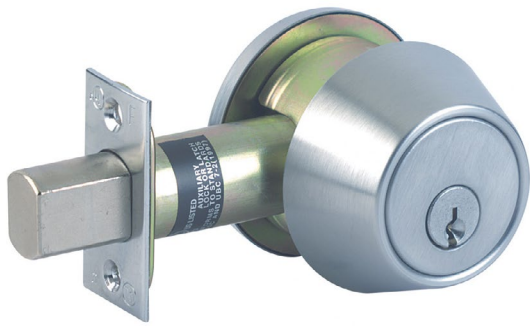
LIMITED LIFETIME WARRANTY

LFIC: Large format IC core
SFIC: Small format IC core

Item	Style	26D
DB851	Single Cylinder	•
DB860	Double Cylinder	•
DB851SFIC	SFIC Less Core	•
DB851LFIC	LFIC Less Core	•
DB860SFIC	SFIC Less Core	•
DB860LFIC	LFIC Less Core	•

Deadbolts – Standard Duty Commercial

700 Series (Grade 2)



Wood Door Frame Reinforcer
(Concealed under strike/deeply anchored to jamb with 2 3" screws)

FEATURES:

- Tested to exceed 150,000 operational cycles ANSI Grade 2 requirements for durability
- 3" steel screws provide the added strength to prevent against break-in attacks for wood door (exclusive concealed wood frame reinforcer protects wood jambs from kick-in attacks)
- 1" throw, high-strength deadbolt with hardened steel roller resists sawing and kick-in attacks
- Standard dust box includes additional space inside strike box for true deadlatch (provides deep anchoring and added strength)
- Concealed screws on double cylinder deadbolts for enhanced security and safety

SPECIFICATIONS:

- Handing Non-handed
- Door Thickness 1-3/8" - 1-3/4"
- Backset 2-3/4" standard, 2-3/8" optional
- Faceplate 1-1/8" x 2-1/4" standard
- Dead bolt 1" throw with saw resistant hardened steel roller inserted
- Strike 1-1/8" x 2-3/4" metal and wood strikes with strike reinforcement supplied standard
- Cylinder 5 & 6-pin solid brass "Schlage C" keyway standard with two brass keys per lock
- Keyways Available for all keyways of most major manufacturers / available with factory lead time

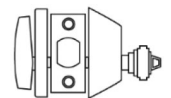
OPTIONS:

- SFIC (small format) interchangeable core
- Compatible 6 or 7-pin cores with Best style
- Master keying available
- 2-3/8" backset
- DBADJ Adjustable deadbolt only (1" faceplate, not UL listed)
- 2-3/8"-2-3/4" ADJ backset, with round corners and 1" faceplate (PDBULADJ26D-1RD)
- 2-3/8"-2-3/4" ADJ backset, with 1" faceplate (PDBULADJ26D-1)

FUNCTIONS:

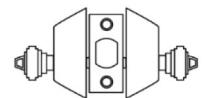
DB751 - Single Cylinder

- Deadbolt thrown or retracted by key from outside or by turning inside turn.
- Bolt automatically deadlocks when fully thrown



DB760 - Double Cylinder

- Deadbolt thrown or retracted by key from either side
- Bolt automatically deadlocks when fully thrown



DB780 - Door Bolt

- Deadbolt thrown or retracted by turn only.
- No through holes in door (designed for half door preparation)
- Half bore is 1-5/8" (DO NOT bore through)



CODE COMPLIANCE:

Meets ADA Requirements specifically designed for Barrier Free Application

ANSI/BHMA A156.5 Series 4000, Grade 2 strength and operational requirements

UL listed to USA and Canadian safety standards listed for 3-hour doors

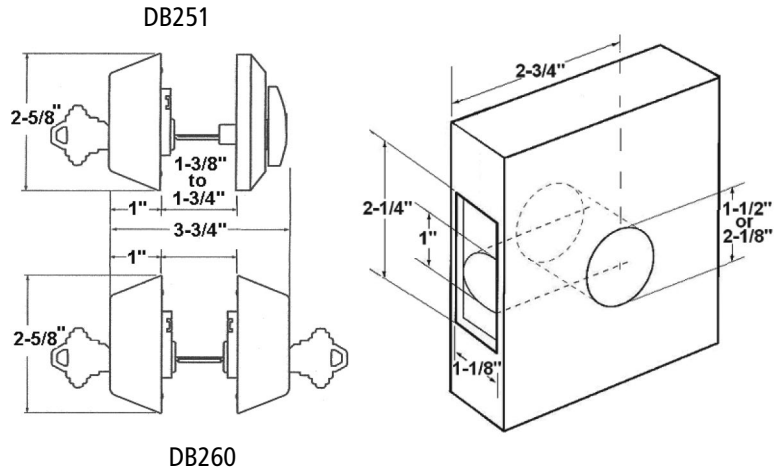
Meets UL 10C and UBC 7-2 (1997) Positive Pressure

LIMITED LIFETIME WARRANTY

Item	Style	US3	10B	26D	32D	BLK
DB751	Single Cylinder	•	•	•	•	•
DB760	Double Cylinder	•	•	•	•	
DB780	Door Bolt	•	•	•		

Deadbolts – Standard Duty

200 Series (Grade 3)



FEATURES:

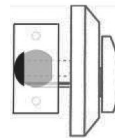
- Deadbolt has hardened steel inserts to prevent sawing through
- Full 1" throw deadbolt
- Adjustable backset 2-3/8" or 2-3/4" steel bolt
- PDB-S -2-3/4" x 1-1/8" deadbolt strike
- Schlage "C" 6-pin keyway standard
- Door thickness 1-3/8" - 1-3/4"
- 1/4" Heavy duty gauge through bolts

OPTIONS:

- IC - Small format Interchangeable Core available (core NOT included)
- DBADJ adjustable deadbolt only (1" faceplate, not UL listed)
- 2-3/8" - 2-3/4" ADJ backset, with round corners and 1" faceplate (PDBULADJ26D-1RD)
- 2-3/8" - 2-3/4" ADJ backset, with 1" faceplate (PDBULADJ26D-1)

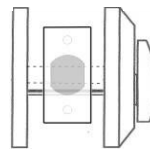
FUNCTIONS:

DB280 - Door Bolt



- Deadbolt thrown or retracted by turn only
- No through holes in door
Designed for half door preparation
- Half bore is 1-5/8"
(DO NOT bore through)

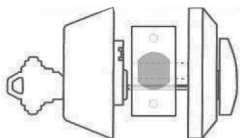
DB290 - Bolt & Plate



- Deadbolt thrown or retracted by turn only
- Outside plate covers and mounts over standard deadbolt door preparation

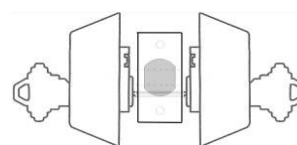
FUNCTIONS:

DB251 - Single Cylinder



- Deadbolt thrown or retracted by key from outside or by turning inside turn
- Bolt automatically deadlocks when fully thrown

DB260 - Double Cylinder



- Deadbolt thrown or retracted by key from either side
- Bolt automatically deadlocks when fully thrown

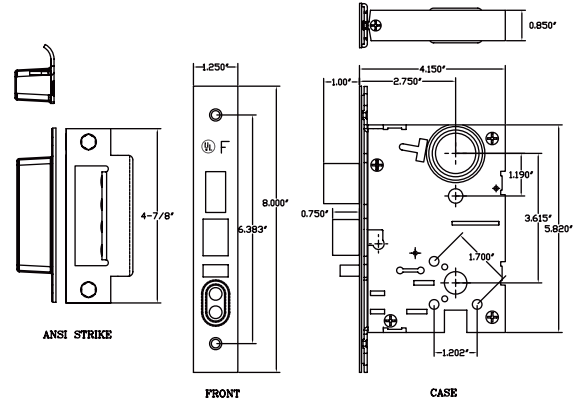
1 YEAR LIMITED WARRANTY

Item	Style	10B	26D	32D	BLK
DB251	Single Cylinder	•	•	•	•
DB260	Double Cylinder			•	

Heavy Duty Commercial Mortise Locks

FEATURES:

- Non-handed
- Stock 6-pin Schlage "C" keyway
- Door thickness 1-3/4" standard, other thicknesses available when specified
- Backset 2-3/4"
- Lock case Heavy-gauge plated steel
- Armored Front Wrought stainless steel or brass-adjustable angle and attached by screws to the lock case front
- Dead bolt 1" throw, stainless steel with hardened anti-saw pins
- Latchbolt Stainless steel latch and anti-friction insert
- Guard bolt Stainless steel
- Stop works Push buttons - chrome-plated brass
- Strike Stainless steel or brass, 4-7/8" x 1-1/4" curved lip ANSI strike
- Handing Handed, field-reversible
- UL Listings UL listed, 3-hour fire doors, single and pairs
- ANSI Specification Meets all Grade 1 security, operational, dimensional and cycling requirements of ANSI/BHMA A156.13 Series 1000, Lock body conforms to Federal Standard FF-H-106 Type 86/87



SPECIFICATIONS:

Mortise Locks – ML series

All locks or latches are provided with 3-hour listed stainless steel deadlatch or springlatch. Lock chassis shall be stainless steel, steel bar and cold rolled steel case with ball-bearing roller retractors.

OPTIONS:

- Trim: 03, 06, 17, specify "A" for sectional trim
- Finish: Escutcheon in 26D, 10B
Sectional in 26D, 10B, 26

Item	Style	26D	10B	US26
CML901003A	03 Lever, Sectional			•
CML904003A	03 Lever, Sectional			•
CML905003A	03 Lever, Sectional			•
CML907003A	03 Lever, Sectional			•
CML908003A	03 Lever, Sectional			•
CML945303A	03 Lever, Sectional			•
CML901006A	06 Lever, Sectional	•	•	•
CML904006A	06 Lever, Sectional	•	•	•
CML905006A	06 Lever, Sectional	•	•	•
CML907006A	06 Lever, Sectional	•	•	•
CML908006A	06 Lever, Sectional	•	•	•
CML945306A	06 Lever, Sectional	•	•	•



CODE COMPLIANCE:

- ANSI A156.13 Series 1000 Grade 1
- Listed UL10C and UBC 7.2 for positive pressure
- ANSI A117.1 ADA Barrier-free Accessibility
- C-UBC California Uniform Builders Code - 2001
- NFPA-80 National Fire Protection - 1999
- NFPA-101 National Fire Protection-Life Safety - 2000

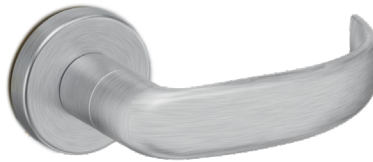
LIMITED LIFETIME WARRANTY

Item	Style	26D	10B	US26
CML901017A	17 Lever, Sectional	•	•	•
CML904017A	17 Lever, Sectional	•	•	•
CML905017A	17 Lever, Sectional	•	•	•
CML907017A	17 Lever, Sectional	•	•	•
CML908017A	17 Lever, Sectional	•	•	•
CML945317A	17 Lever, Sectional	•	•	•
CML901006L	06 Lever, Escutcheon	•		•
CML904006L	06 Lever, Escutcheon	•		•
CML905006L	06 Lever, Escutcheon	•		•
CML907006L	06 Lever, Escutcheon	•		•
CML908006L	06 Lever, Escutcheon	•		•
CML945306L	06 Lever, Escutcheon	•		•

Heavy Duty Commercial Mortise Locks



06

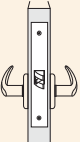
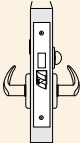
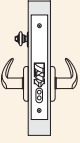
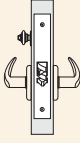
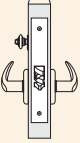



17



03

For Sectional trim specify "A"

PICTURE	SERIES	FUNCTION	ANSI NUMBER	FUNCTION DESCRIPTION
	CML9010	Passage or Closet	F01	Latchbolt operated by lever from either side at all times.
	CML9040	Privacy or Bathroom	F19	Latchbolt operated by lever from either side. Dead bolt operated by turn from inside and emergency release from outside. Operating inside lever retracts both bolts.
	CML9050	Entry/ Office	F04	Latchbolt operated by lever from either side, except when outside lever is made inoperative by a stop or mechanical means other than key. When outside lever is locked, Latchbolt is retracted by key from outside or by operating inside lever. ***Auxiliary dead bolt latch.
	CML9070	Classroom	F05	Latchbolt operated by lever from either side, except when outside lever is locked from outside by key or push button mechanism. When outside lever is locked, latchbolt may be retracted by key, or by operating key or push button mechanism and outside lever from outside or by operating inside lever. ***Auxiliary dead bolt latch.
	CML9080	Storeroom or Closet	F07	Latchbolt operated by key from outside or by rotating inside lever. Outside lever is always inoperative. ***Auxiliary dead bolt latch.
	CML9453	Entrance/ Apartment/ Dormitory	F20	Latch bolt retracted by lever from either side, except when outside lever is made inoperative by operating the toggle button. Dead bolt projected by key from outside and by thumb turn from inside. Key outside operates both bolts and outside lever remains locked. Operating inside lever retracts both bolts and outside lever remains locked. Latch bolt is deadlocked when outside lever is made inoperative or when dead bolt is projected. When dead bolt is retracted, outside lever is unlocked by toggling the button. Inside lever is always free for immediate exit.

Heavy Duty Grade 1 Rim Exit Device

EDR701 (Standard)

EDFR701 (Fire-Rated)



FEATURES:

- Chassis mounted unit construction
- Minimum stile 4-1/2"
- Standard door thickness 1-3/4"
- For all doors up to 36"
- Universal design retrofits on Von Duprin 99 series and Sargent 88 Series
- Material: cover, cap, and rail are made of brass, bronze or stainless steel
- 161 ANSI cutout
- Mounting: Furnished with wood & machine screws, through bolts, standard on fire-rated devices
- Non-handed
- Latchbolt: Stainless steel 3/4"

DIMENSIONS:

Touchbar	Height to finish floor... 41" at center
Touchbar	Projection
	Neutral.....2-1/2"
	Depressed.....1-3/4"
Center case8-1/2" x 2-1/2" x 2"
Device length	Standard2'2" - 3'
	Long (L).....2'9" - 4'

OPTIONS:

- Stocked 48" length, specify "L" in item #
- Available different functions
- Covers 161 cutout
- ALRMKIT700 Alarm Kit available for 3' & 4' applications.
- Glass Bead Kits available

Compatible trim options available
(see page 25)

SPECIFICATIONS:

- All exit devices shall be of touch bar design with smooth operation and be operative over two-thirds of the door's clear opening width.
- All exit devices must be listed under "Panic Hardware" in the Accident Equipment List of Underwriter's Laboratories, Inc. Where labeled doors are used as exits, they must be equipped with labeled Fire Exit Hardware and UL 10C, UBC 7-2-1997 codes.
- All exit devices shall be of chassis mounted unit construction.



CODE COMPLIANCE:

- ANSI A165.3, Grade 1
- UL listed for Panic and UL 10C, UBC 7-2-1997 codes.
- UL listed for Fire Exit Hardware. 3 Hours.
- (A) label rating on pairs of doors up to 8'0" x 8'0" swinging in same or opposite directions.

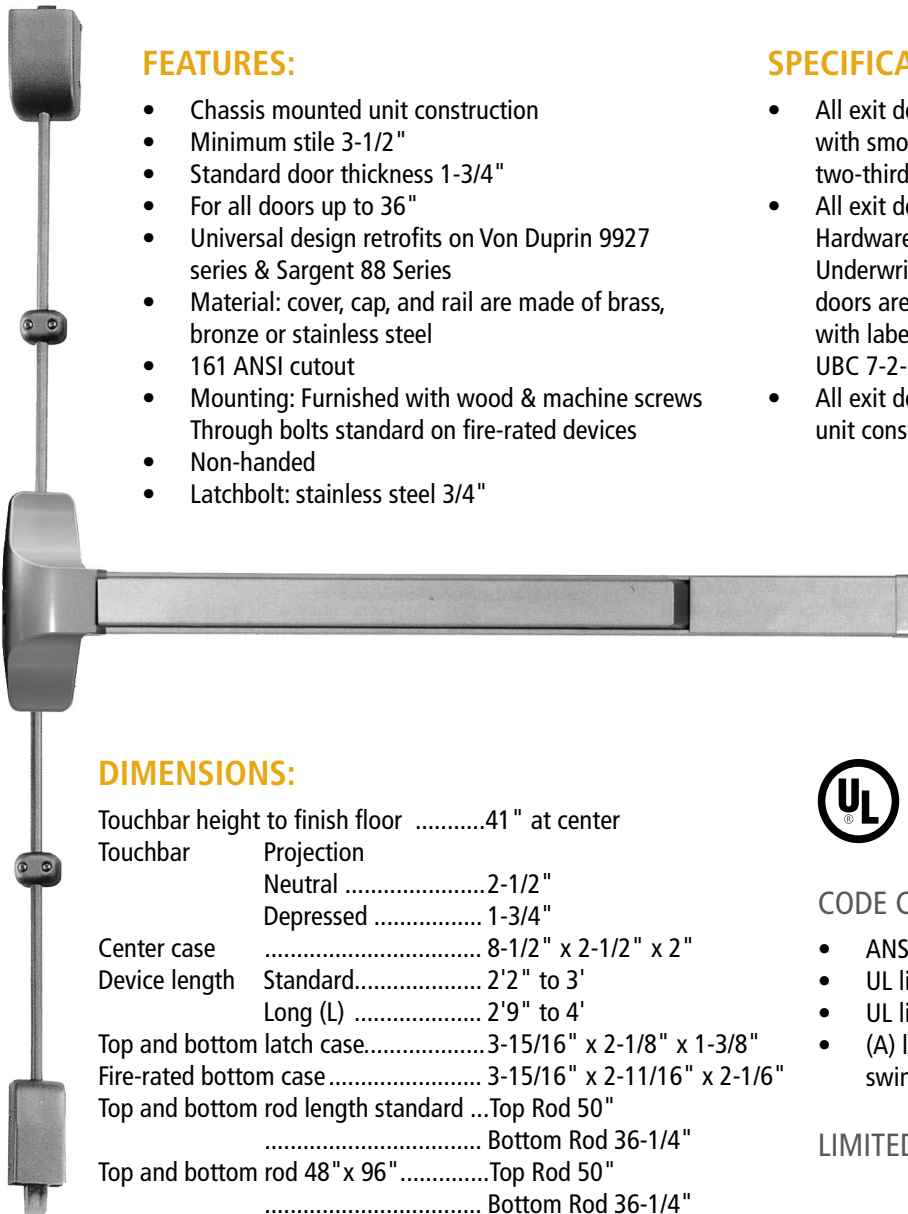
LIMITED LIFETIME WARRANTY

Item	Style	10B	US28	US32D	DU	BLK
EDR701	Rim - 36"	•	•	•		•
EDR701L	Rim - 48"	•	•	•		
EDCDR701L	Rim - 36"			•		
EDCDR701L	Rim - 48"				•	
EDFR701	Fire-Rated Rim - 36"	•	•	•		•
EDFR701L	Fire-Rated Rim - 48"	•	•	•		•

Heavy Duty Grade 1 Vertical Rod Exit Device

EDV701 (Standard)

EDFV701 (Fire-Rated)



FEATURES:

- Chassis mounted unit construction
- Minimum stile 3-1/2"
- Standard door thickness 1-3/4"
- For all doors up to 36"
- Universal design retrofits on Von Duprin 9927 series & Sargent 88 Series
- Material: cover, cap, and rail are made of brass, bronze or stainless steel
- 161 ANSI cutout
- Mounting: Furnished with wood & machine screws Through bolts standard on fire-rated devices
- Non-handed
- Latchbolt: stainless steel 3/4"

SPECIFICATIONS:

- All exit devices shall be of touch bar design with smooth operation and be operative over two-thirds of the door's clear opening width.
- All exit devices must be listed under "Panic Hardware" in the Accident Equipment List of Underwriter's Laboratories, Inc. Where labeled doors are used as exits, they must be equipped with labeled Fire Exit Hardware and UL 10C, UBC 7-2-1997 codes.
- All exit devices shall be of chassis mounted unit construction.

DIMENSIONS:

Touchbar height to finish floor41" at center
Touchbar Projection	
Neutral2-1/2"
Depressed1-3/4"
Center case8-1/2" x 2-1/2" x 2"
Device length	Standard.....2'2" to 3'
	Long (L)2'9" to 4'
Top and bottom latch case3-15/16" x 2-1/8" x 1-3/8"
Fire-rated bottom case3-15/16" x 2-11/16" x 2-1/6"
Top and bottom rod length standard	...Top Rod 50"
Bottom Rod 36-1/4"
Top and bottom rod 48" x 96"Top Rod 50"
Bottom Rod 36-1/4"



CODE COMPLIANCE:

- ANSI A165.3, Grade 1
- UL listed for Panic and UL 10C, UBC 7-2-1997 codes
- UL listed for Fire Exit Hardware 3-Hours
- (A) label rating on pairs of doors up to 8'0" x 8'0" swinging in same or opposite directions

LIMITED LIFETIME WARRANTY

OPTIONS:

- Stocked 48" x 96" length, specify "L" in item #
- Available different functions
- Covers 161 cutout.
- Alarm Kit available for 3' & 4' applications
- Glass Bead Kits available

Compatible trim options available (see page 25)

Item	Style	10B	US28	US32D	BLK
EDV701	Vertical Rod - 36"	•	•	•	•
EDV701L	Vertical Rod - 48"	•	•	•	
EDFV701	Fire-Rated Vertical Rod - 36"	•	•	•	•
EDFV701L	Fire Rated Vertical Rod - 48"	•	•	•	•
EDCVM701	Concealed Vertical Rod (Metal)	•		•	
EDFCVW701	Concealed Vertical Rod (Wood)	•		•	

Heavy Duty Grade 1 Vertical Rod – Less Bottom Rod

EDFV701 x LBR (Fire-Rated)

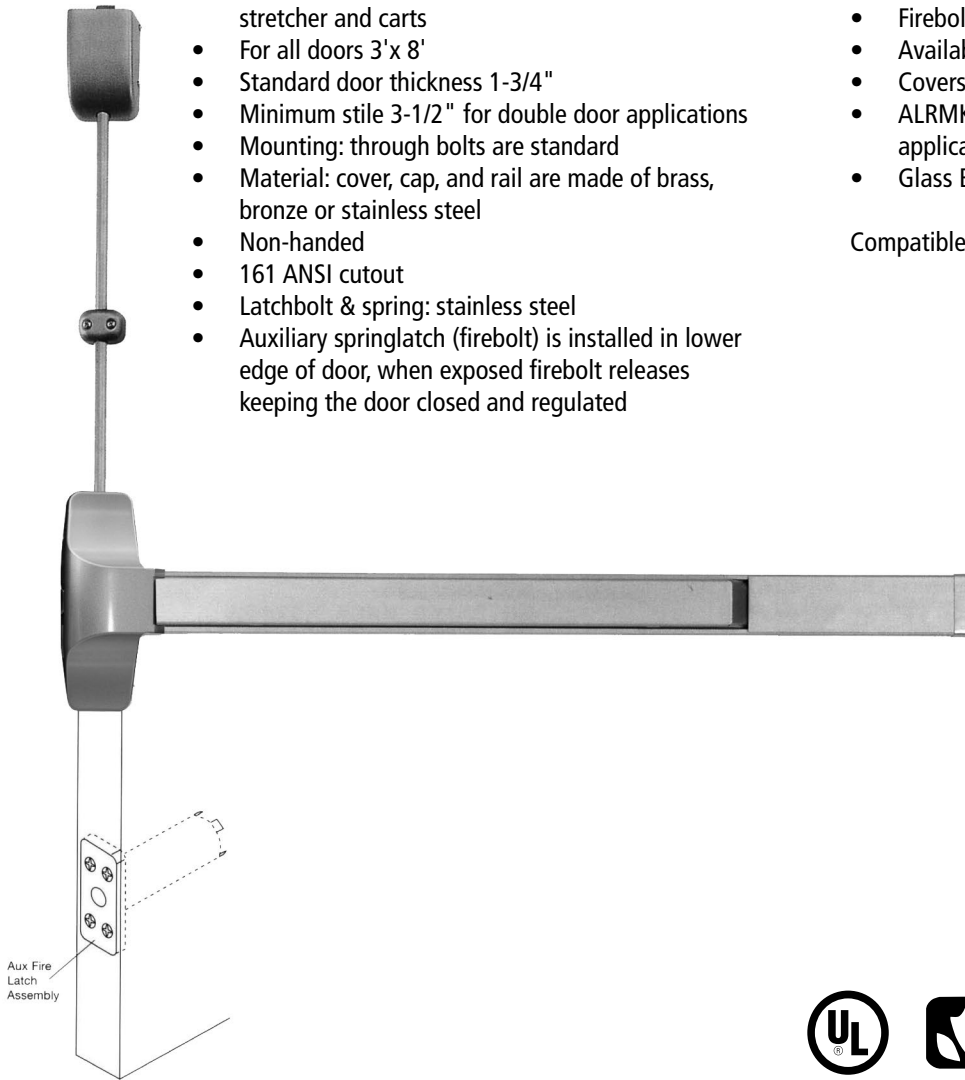
FEATURES:

- LBR No bottom strike. Free access for wheelchairs, stretcher and carts
- For all doors 3' x 8'
- Standard door thickness 1-3/4"
- Minimum stile 3-1/2" for double door applications
- Mounting: through bolts are standard
- Material: cover, cap, and rail are made of brass, bronze or stainless steel
- Non-handed
- 161 ANSI cutout
- Latchbolt & spring: stainless steel
- Auxiliary springlatch (firebolt) is installed in lower edge of door, when exposed firebolt releases keeping the door closed and regulated

OPTIONS:

- Stocked 48" x 96" length, specify "L" in item #
- Firebolt separate part number FB385
- Available different functions
- Covers 161 cutout
- ALRMKIT700 Alarm Kit available for 3' & 4' applications
- Glass Bead Kits available

Compatible trim options available (see page 25)



DIMENSIONS:

- Touchbar height to finished floor..... 41" at center
- Touchbar Projection
- Neutral 2-1/2"
 - Depressed 1-3/4"
- Center case 8-1/2" x 2-1/2" x 2"
- Device length Short 3' 2'2" to 3'
- Long 4' 2'9" to 4'
- Panic grade top latch case..... 3-15/16" x 2-1/8" x 1-3/8"
- Fire grade top latch case..... 3-15/16" x 2-11/16" x 2-1/16"
- Top rod length for 36" x 84" doors ... Top rod 50"
- Top rod length for 48" x 96" doors ... Top rod 50"
- Vertical rod 1/2" Round tubing



CODE COMPLIANCE:

- ANSI A165.3, Grade 1
- UL & ULC listed. LBR series for fire exit hardware for all types of 8' x 8' double doors including double egress for up to 3-hour metal, 2-hour wood doors fire labeled installations. Conforms to standard UL 1DC, UBC 7-2-1997 codes.

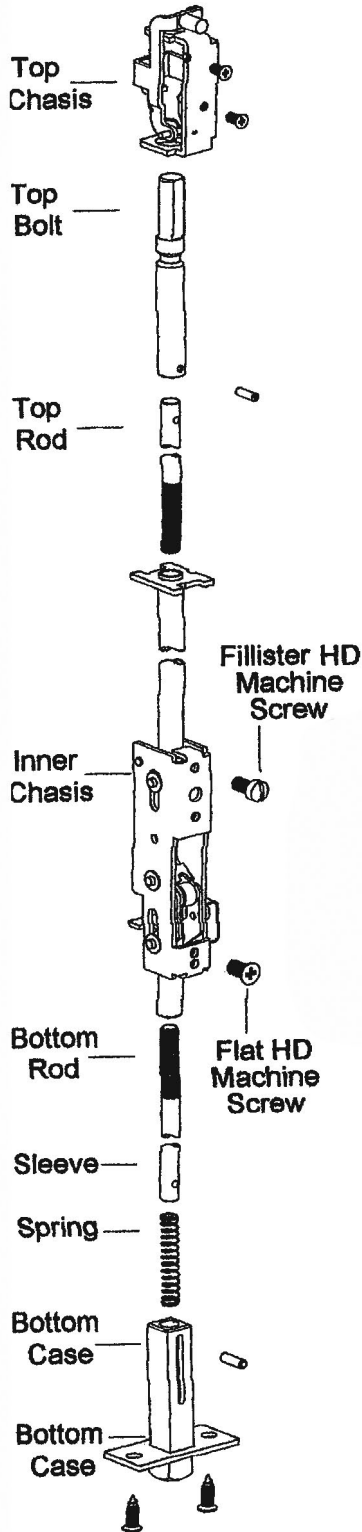
LIMITED LIFETIME WARRANTY

Item	Style	US32D	BLK
EDFV701LBR	Less bottom rod	•	•

Heavy Duty Concealed Vertical Rod Exit Device

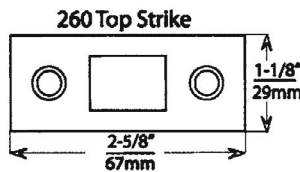
EDCVM701 (Standard)

EDFCVM701 (Fire-Rated)

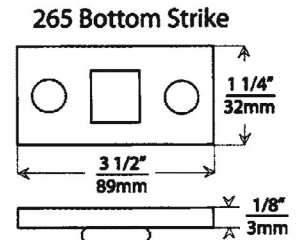


SPECIFICATIONS:

- For Doors Metal. 1-3/4" (44.5mm) minimum thickness
4-1/2" (114mm) minimum stile width
- Chassis..... Nonferrous alloy
- Chassis Cover..... Bronze or stainless steel
- Mounting Furnished standard with machine screws
- End Cap Brass, bronze or stainless steel construction
- Handing Easily field reversible. Specify at time of order LHRB, RHRB for convenience
- ANSI standard..... A156.3, Grade 1
- Strike..... 260 top and 265 bottom
- Top and bottom bolts - Stainless steel. Top and bottom bolt travel 7/16" (11mm)
Projection adjustable up to 1" (25mm)
- Fire Exit hardware EDFCVM701 Series for fire exit hardware for all types of 8'0" x 8'0"
Double doors for up to 3-hour fire labeled installations, conforms to standards
UL10C and UBC 7-2-1997 codes.
- Rail height Specify door opening and mounting height of center line of rail ordering an
vertical rod exit device 41" from floor.
- Trim..... See trim designs section
- Door size 36" x 84" 36" x 96"
48" x 84" 48" x 96"



- ◆ For applications metal frames
- ◆ Stainless Steel



- ◆ Furnished with expansion shields
- ◆ Mortised into floor
- ◆ Stainless Steel



CODE COMPLIANCE:

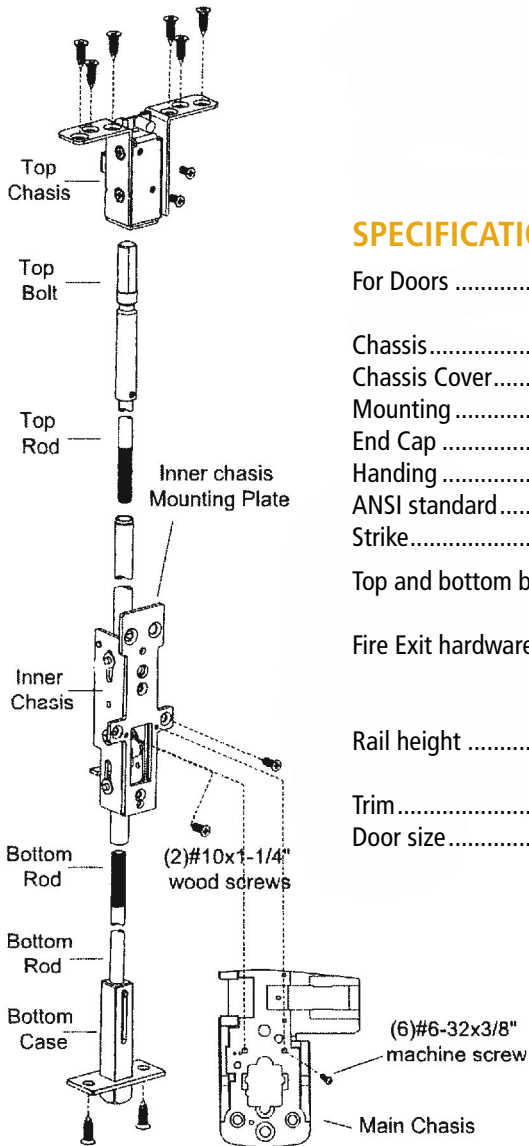
- ANSI A156.3 Grade 1. UL 1 OC and UBC 7.2 for positive pressure.
- ANSI A117.1 and ADA for barrier-free accessibility
- C-UBC California Uniform Builders Code 2001
- NFPA-80 National Fire Protection Association 1999
- NFPA-101 National Fire Protection - Life Safety 2000

LIFETIME WARRANTY

Item	Style	10B	US32D	BLK
EDCVM701	Concealed vertical rod		•	•
EDFCVM701	Concealed vertical rod	•	•	•

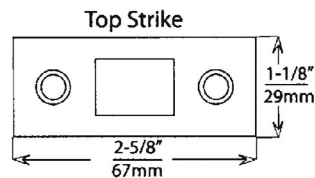
Heavy Duty Concealed Vertical Rod Exit Device

EDFCVW701 (Fire-Rated)

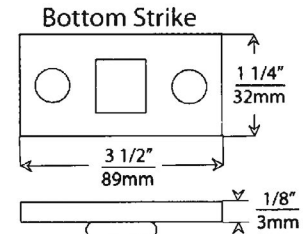


SPECIFICATIONS:

- For Doors Wood. 1-3/4" (44.5mm) minimum thickness
4-1/2" (114mm) minimum stile width
- Chassis..... Nonferrous alloy
- Chassis Cover..... Bronze or stainless steel
- Mounting Furnished standard with wood and machine screws
- End Cap Brass, bronze or stainless steel construction
- Handing Easily field reversible; specify at time of order LHRB or RHRB for convenience
- ANSI standard..... A156.3, Grade 1
- Strike..... 260 top and 265 bottom
- Top and bottom bolts- stainless steel. Top and bottom bolt travel 7/16 (11mm)
Projection adjustable up to 1" (25mm)
- Fire Exit hardware EDFCVW701 Series for fire exit hardware for all types of 8'0" x 8'0"
Double doors for up to 1-1/2 hour fire labeled installations, conforms to standards
UL10C and UBC 7-2-1997 codes.
- Rail height Specify door opening and mounting height of center line of rail ordering an
vertical rod exit device 41" from floor.
- Trim..... See trim designs section
- Door size..... 36" x 84" 36" x 96"
48" x 84" 48" x 96"



- ◆ For applications metal frames
- ◆ Stainless Steel



- ◆ Furnished with expansion shields
- ◆ Mortised into floor
- ◆ Stainless Steel



CODE COMPLIANCE:

ANSI A156.3 Grade 1. UL 1 OC and UBC 7.2 for positive pressure.
ANSI A117.1 and ADA for barrier-free accessibility
C-UBC California Uniform Builders Code 2001
NFPA-80 National Fire Protection Association 1999
NFPA-101 National Fire Protection - Life Safety 2000

LIFETIME WARRANTY

Item	Style	10B	US32D
EDFCVW701	Concealed Vertical Rod (Wood)	•	•

Exit Device Trim

700 Series – Escutcheon Lever Design

FEATURES:

- Grade 1, through bolted design, clutch, freewheeling lever. Non-handed design. Easily field reversible.
- Hardened steel, heavy duty tailpiece. Available for fire and non fire-rated rim and vertical rod exit devices.
- 1-1/8" mortise cylinder, C-keyway, standard
- Door thickness 1-3/4"
- Escutcheon dimensions: 2-5/16" width x 8-1/2" length, lever 4-3/4"
- Fits & covers 2-1/8" 161 cutout
- Escutcheon dimensions for CVR trim: 2-5/16" width x 8-1/2" length



ETL Saturn 26D

(also available with Sparta lever)

FUNCTIONS:

Entry (L)	ETL Key locks and unlocks	ANSI 13
Passage (BE)	ETLBE Always operable (no cylinder)	ANSI 15
Dummy (DT)	ETLDT Dummy trim	ANSI 10
Store Room (NL)	ETLNL Key retracts latchbolt	ANSI 04

Item	Saturn 10B	Saturn 26D	Saturn BLK	Sparta 10B	Sparta 26D
ETL	•	•	•	•	•
ETLBE	•	•	•	•	•
ETLDT	•	•	•	•	•
ETLNL	•	•	•	•	•
ETL06CV		•			
ETLBE06CV	•				
ETLNL06CV		•			
ETLDT06CV	•	•			

Pull & Thumbpiece Design (for Rim and SVR Devices)



Dummy

- ETDT Outside by pull only, pull when dogged
- ANSI Function 02
- Covers 161 cutout



Store Room

- ETNL Outside by pull, key retracts latchbolt
- ANSI Function 03
- Covers 161 cutout



Entrance

- ETPP Key locks and unlocks thumb piece
- ANSI Function 13
- Covers 161 cutout

OPTIONS:

Available with SFIC less core cylinder
contact sales department

Item	10B	32D	BLK
ETDT	•	•	•
ETNL	•	•	•
ETPP	•	•	•

Glass Bead Shim Kits

- GBKR for rim devices, 1/8" thick
- GBKV for vertical rod devices, 1/8" thick
- GBKVF for fire-rated devices, 1/8" thick

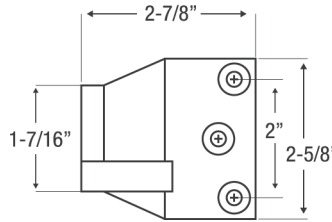
Note: when exit devices use both trim and shim kits then spindle length on thumb pieces and through bolts must be increased accordingly.

Item	ZN
GBKR	•
GBKV	•
GBKVF	•

ZN = Zinc

Overlapping Strike

- Surface applied. Used on inactive leaf for device on active leaf of pair of doors without mullion.



Item	ZN
254	•

ZN = Zinc

Firebolt

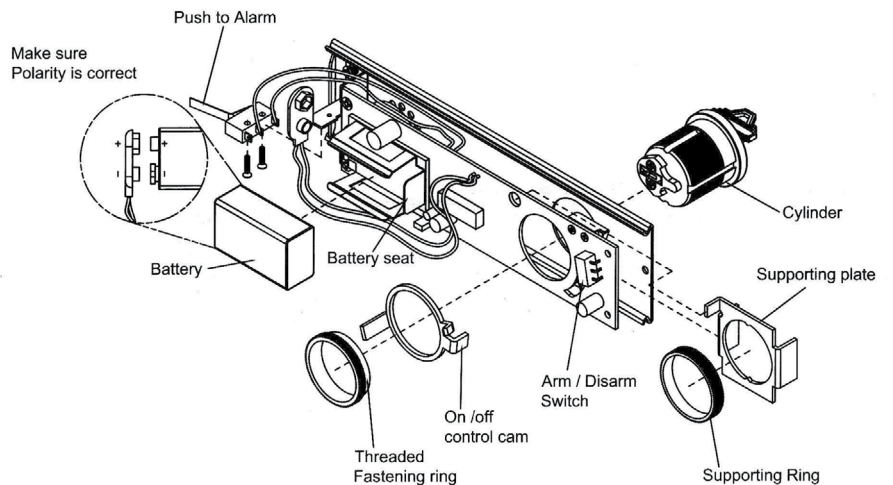
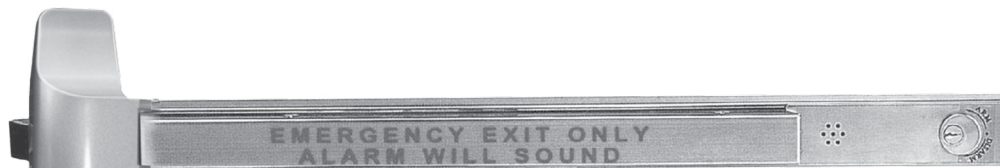


Item	32D
FB385	•

Exit Alarm Kit

Specify ALARM KIT

- Used with 700 series exit devices
- Compatible with 48" device
- Type: rim or vertical rod
- Furnished with motise cylinder, c-keyway

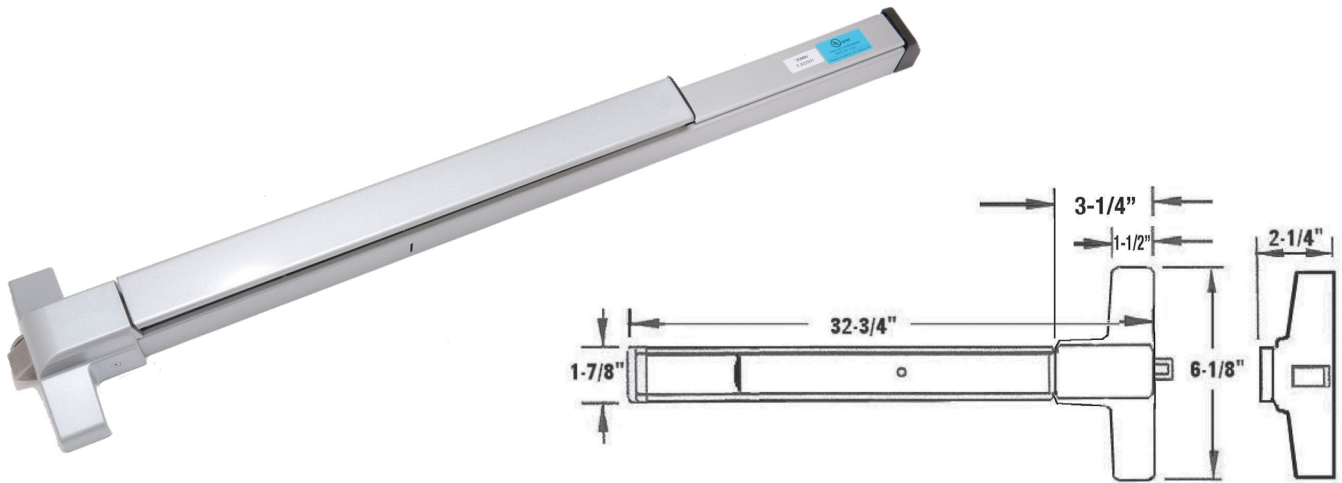


Item	US28
ALRMKIT700L	•

Standard Duty Commercial Rim Exit Device

ED501 (Standard)

EDF501 (Fire-Rated)



FEATURES:

- Deadlatching and non-handed
- Dogging standard only on NON-UL listed device
- Baked enamel Aluminum (AL) and Duronodic (DU) finish
- For all doors up to 36"
- PEDPS01 & PEDSS01 - Standard strike and shim
- PEDFP161 & PEDFP - ANSI - Latch & strike filler plate
- PEDSNB - Standard with sex bolts
- EDF501 - UL Listed for fire and egress - Listed for 1-1/2 hour for doors under 38" (3'-2") x 86" (7'-2")



CODE COMPLIANCE:

- ANSI A156.3 Grade 2. UL 1 OC and UBC 7.2 for positive pressure
- ANSI A117.1 and ADA for barrier-free accessibility
- C-UBC California Amended Uniform Builders Code - 2001
- NFPA-80 National Fire Protection Association - 1999
- NFPA-101 National Fire Protection Association Life Safety - 2000

OPTIONS:

- Stocked 48" length, specify "L" in item # (for non-rated device)
- EDS551 - Exit device made from stainless steel
- ALRMKIT500 - Alarm kit (mortise cylinder NOT included)
- ETLHL500 - Entry function - Lever - 161 Cylindrical prep
- ETLHL580 - Storeroom function - Lever - 161 Cylindrical prep
- ETTP05 - Pull plate with cylinder cut-out (available in BLK / Alum/Duro, Rim cylinder NOT included)
- ETTP06 - Pull plate only (NOT included)

1 YEAR LIMITED WARRANTY

Item	Size	AL	DU	SS	BLK
ED501	36"	•	•		•
ED501L	48"	•	•		•
EDF501 (Fire-Rated)	36"	•	•		•
EDS551	36"			•	

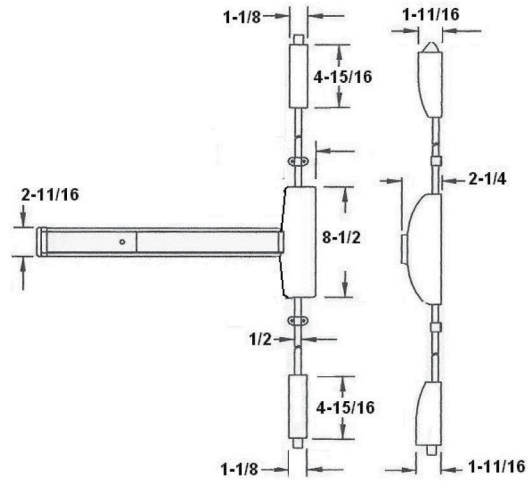
Standard Duty Commercial Surface Vertical Rod Exit Device

EDVR531 (Standard)

EDFVR531 (Fire-Rated)

FEATURES:

- Deadlatching and non-handed
Dogging standard only on NON-UL listed device
- Interlocking top and pullman bottom latch
- Baked enamel Aluminum (AL) and Duronodic (DU) finish
- PEDPS03 & PEDPS11 - Standard top & bottom strike
- PEDFP161 & PEDFP - ANSI - Latch & strike filler plate
- PEDSNB - Standard with sex bolts
- For all doors up to 36" (3') x 84" (7')
- EDFVR531 - UL Listed for fire and egress - Listed for 1-1/2 hour fire doors under 38" (3'2") x 86" (7'2")



OPTIONS:

- ALRMKIT500 - Alarm Kit (cylinder NOT included)
- ETLHL500 - Entry function lever #161 cylindrical preparation
- ETLHL580 - Storeroom function lever #161 cylindrical Prep
- ETPP05 Pull plate with cylinder cut-out, rim cylinder (NOT included)
- ETPP06 - Pull plate only



CODE COMPLIANCE:

ANSI A156.3 Grade 2. UL 1 OC and UBC 7.2 for positive pressure

ANSI A117.1 and ADA for barrier-free accessibility

C-UBC California Uniform Builders Code - 2001

NFPA-80 National Fire Protection Association - 1999

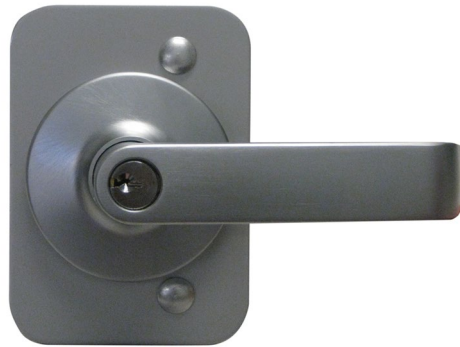
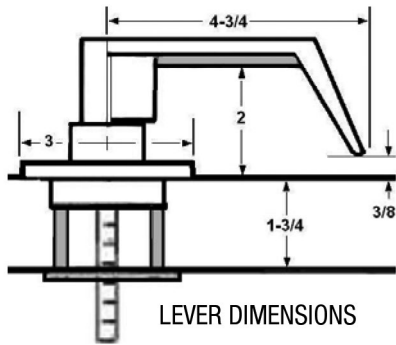
NFPA-101 National Fire Protection - Life Safety - 2000

1 YEAR LIMITED WARRANTY

Item	AL	DU	BLK
EDVR531	•	•	•
EDFVR531 (Fire-Rated)	•	•	•

Exit Device Trim

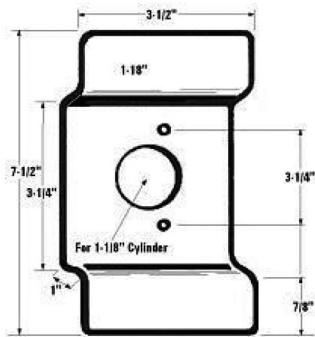
500 Series



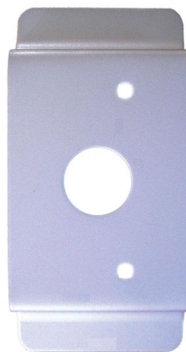
- ETLHL500 - ENTRY
- ETLHL510 - PASSAGE
- ETLHL580 - STOREROOM

Item	10B	26D	BLK
ETLHL500	•	•	•
ETLHL510		•	•
ETLHL580		•	•

Pull Trim



PULL DIMENSIONS



ETPP05
RIM CYLINDER
NOT INCLUDED



ETPP06

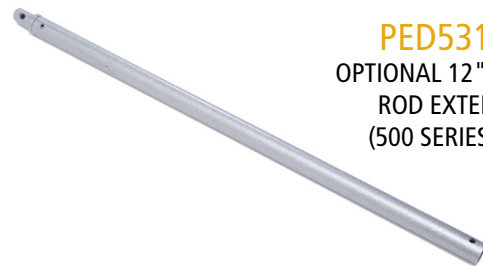
Accessories



PEDMP161
ANSI 161 2-1/8" BORE
TRIM MOUNTING PLATE

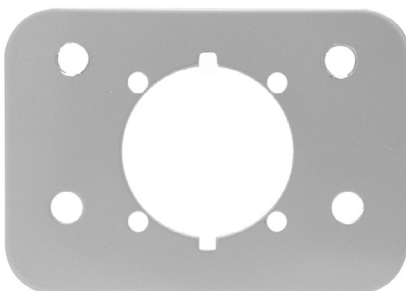


ALRMKIT500 - ALARM KIT
USED WITH 500 SERIES EXIT DEVICES
1-1/8" MORTISE CYLINDER
NOT INCLUDED



PED531EXT
OPTIONAL 12" VERTICAL
ROD EXTENSION
(500 SERIES ONLY)

PEDBPVR
BACK PLATE FOR USE WITH
VERTICAL ROD TRIM



Item	AL	DU	BLK	Unfinished
ALRMKIT500	•	•		
ETPP05	•	•		
ETPP06	•	•		
PED531EXT	•	•	•	
PEDBPVR	•			
PEDMP161				•

Mullions

7100 – for use with non-rated rim exit devices on non-rated pairs of doors

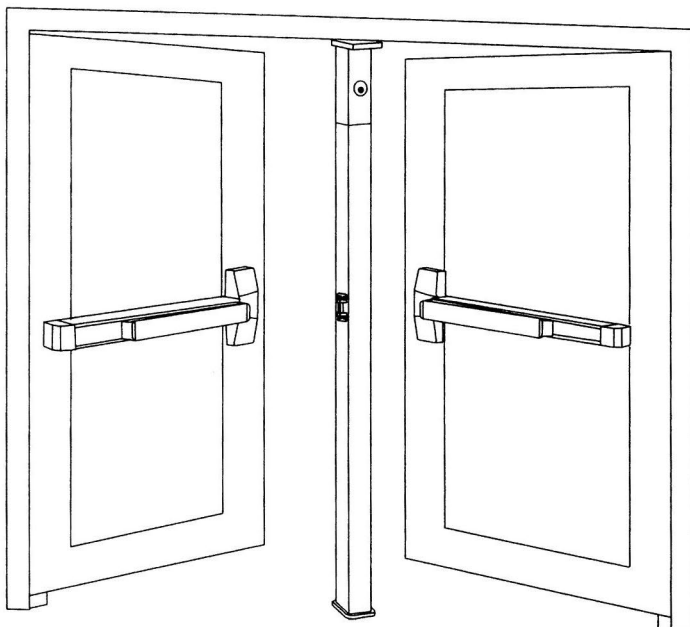
SPECIFICATIONS:

- Mullion Size 2" x 3" x 96" Steel Tube. Mullion may be field cut to fit proper size.
- Rim Cylinder Use Rim Cylinder, cylinder not included. 3/8" spacer required. Not included.
- Top Bracket Steel, using key allows the mullion to be removed in seconds.
Mullion can be locked in top bracket easily without using the key.
- Bottom Bracket Steel, fixed by 4 hex bolts with stainless steel anchors.
- Strike Use two standard Rim Strikes (not included)
- Finish Gray baked powder coating only

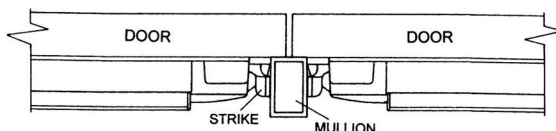
7100F – for use with fire-rated rim exit devices on fire-rated pairs of doors

SPECIFICATIONS:

- Mullion Size 2" x 3" x 96" Steel tube. Mullion may be field cut to fit proper size.
- Rim Cylinder Use rim cylinder, cylinder not included. 3/8" spacer required. Not included.
- Top Bracket Stainless steel, using key allows the mullion to be removed in seconds.
Mullion can be locked in top bracket easily without using the key.
- Bottom Bracket Stainless steel, fixed by 4 hex bolts with stainless steel anchors.
- Strike Use two (2) sets of Mullion Strikes (688) & Strike Hooks (689) - Not Included. (Part No. MULL7100FSTRKPKC)
- Finish Gray baked powder coating only

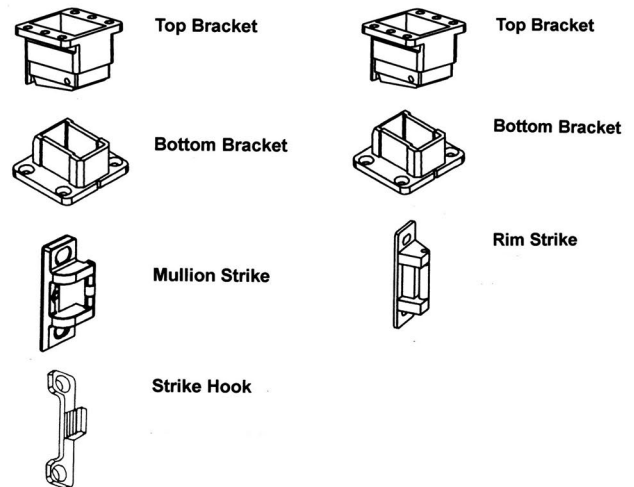


The removable Mullion is used for with two Rim Devices on double doors.



FOR USE WITH FIRE-RATED

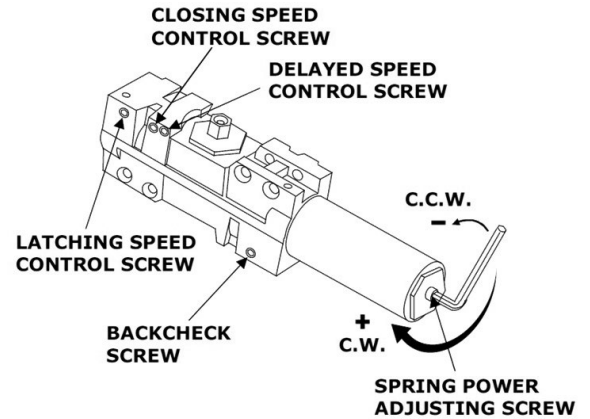
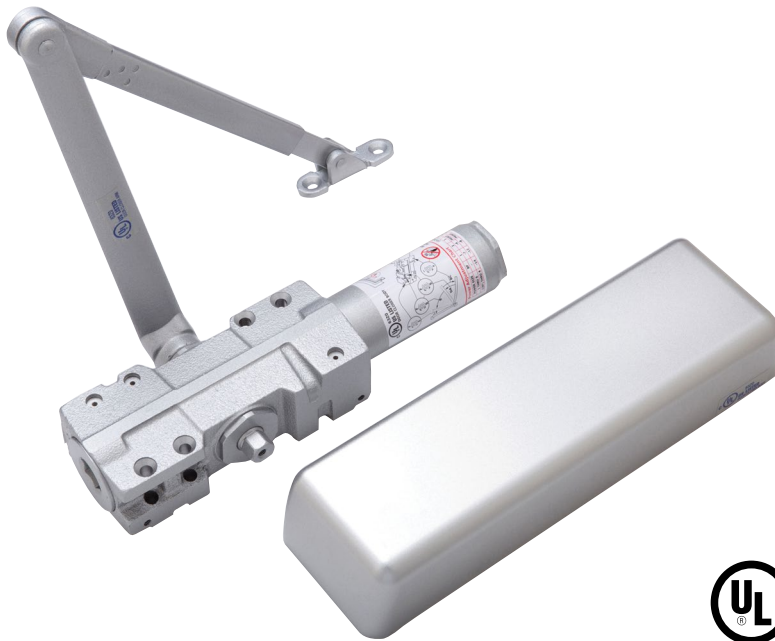
FOR USE WITH NON-RATED



Item	Description	Unfinished
MULL7100	Mullion Non-Rated	•
MULL7100F	Mullion Fire-Rated	•
MULL7100FSTRKPKC	Fire-Rated Mullion Pack	•

Extra Heavy Duty Commercial Door Closer

DC40 / DC40XPBF



FEATURES:

- Same hole pattern as LCN 4040/4041
- Tri-pack with regular, parallel, and top-jamb mounting, instructions and full size template
- DC40XPBF also conforms to the minimum opening force requirements of the ADA and ANSI/BHMA Standard A117.1
- Spring adjustment from size BF-6
- Non-handed
- Standard with adjustable sweep, latch and back check
- Full plastic cover
- SNB - Sex nuts and bolts (available in BLK/alum/duro)
- 4 closers per shipping carton
- Cast iron body

OPTIONS: CLOSER PACKED WITH ARM

- CUSH: Heavy Duty Cush Arm
- DA: Delayed Action
- EDA: Extra Duty Arm
- H: Hold Open Arm (available with closer or arm only)
- HCUSH: Hold Open Cush Arm
- HEDA: Hold Open Extra Duty Arm
- SCUSH: Spring Cush Arm
- SHCUSH: Spring Hold Open Cush Arm

CODE COMPLIANCE:

- ANSI A156.4 Grade 1. UL10C and UBC 7.2 for positive pressure
- C-UBC California Amended Uniform Builders Code - 2001
- California State Fire Marshall (CSFM) approved
- ADA compliant

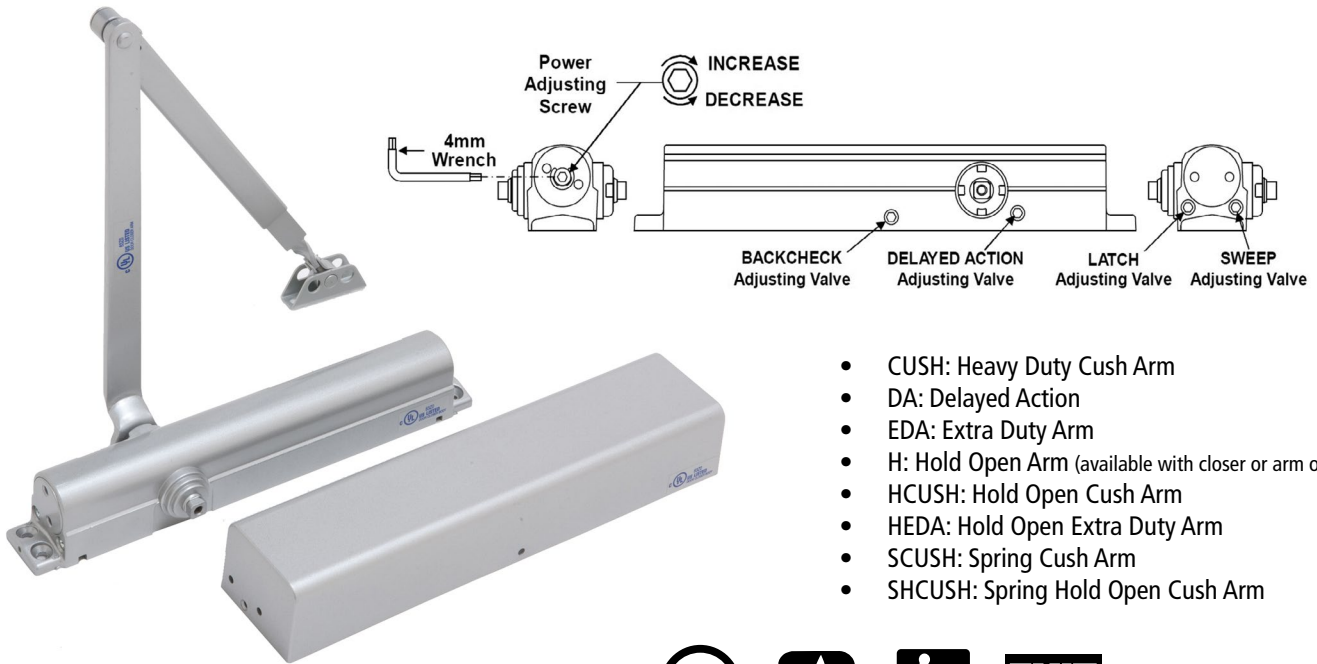
LIMITED LIFETIME WARRANTY

CAUTION: Door closer for Low Opening Force Applications: Door closers installed in openings required to meet the requirements of The Americans with Disabilities Act or ANSI/BHMA Standard A117.1, when adjusted to meet those requirements, may not provide adequate closing power to dependably close and latch the door.

Item	AL	DU	US3	BLK
DC40 Regular Arm			•	
DC40XPBF RA/PA	•	•		•
DC40CUSH	•			•
DC40DA	•	•		•
DC40EDA	•			•
DC40H	•			
DC40HCUSH	•			
DC40HEDA RH	•			
DC40HEDA LH		•		
DC40SCUSH	•			•
DC40SHCUSH	•			
DC403077EDA (Arm Only)	•			

Heavy Duty Commercial Door Closer

DC851



- CUSH: Heavy Duty Cush Arm
- DA: Delayed Action
- EDA: Extra Duty Arm
- H: Hold Open Arm (available with closer or arm only)
- HCUSH: Hold Open Cush Arm
- HEDA: Hold Open Extra Duty Arm
- SCUSH: Spring Cush Arm
- SHCUSH: Spring Hold Open Cush Arm



FEATURES:

- Same hole pattern as Norton 8301/8501
- Tri-Pack with regular, parallel, and top-jamb mounting, instructions and full size template
- Standard spring adjustment size BF-6
- Non-handed
- Standard with adjustable sweep, latch, and back check
- Full plastic cover
- SNB: Sex nuts and bolt fasteners

CODE COMPLIANCE:

- ANSI A156.4 Grade 1 UL1DC and UBC 7.2 for positive pressure
- ANSI A117.1 and ADA for barrier-free accessibility
- C-UBC California Uniform Builders Code - 2001
- California State Fire Marshall (CSFM) approved

OPTIONS:

- CUSH: Heavy Duty Parallel Mount Cush Arm
- DA: Delayed Action
- EDA: Extra Duty Arm
- H: Friction Hold Open Arm
- HCUSH: Hold Open Cush Arm
- HEDA: Hold Open Extra Duty Arm
- SCUSH: Spring Cush Arm
- SHCUSH: Spring Hold Open Cush Arm
- PDC831: Slimline Cover Only

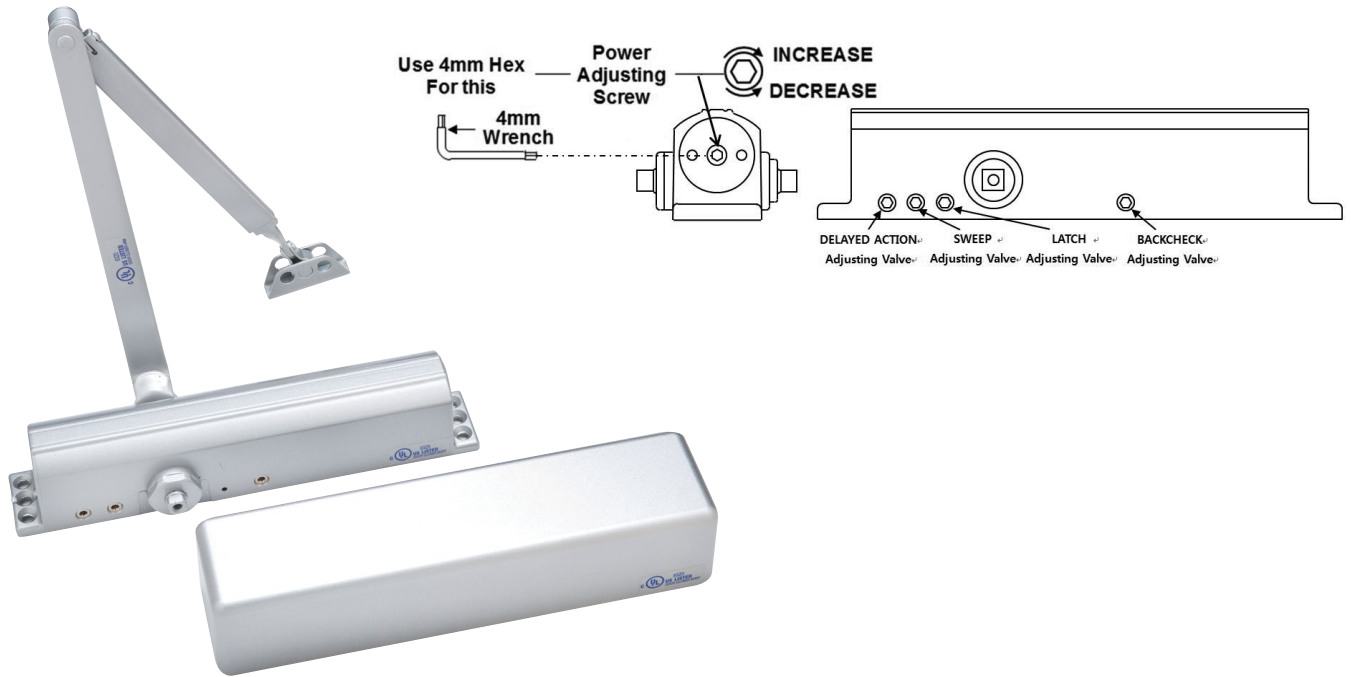
CAUTION: Door closer for Low Opening Force Applications: Door closers installed in openings required to meet the requirements of The Americans with Disabilities Act or ANSI/BHMA Standard A117.1, when adjusted to meet those requirements, may not provide adequate closing power to dependably close and latch the door.

LIMITED LIFETIME WARRANTY

Item	AL	DU	BLK
DC851 Regular Arm	•	•	•
DC851CUSH	•	•	
DC851DA		•	
DC851EDA		•	
DC851H		•	
DC851HCUSH		•	
DC851HEDA		•	
DC851HEDA RH		•	
DC851SCUSH		•	
DC851SHCUSH		•	
DC51HEDA	•		
DC51HEDA		•	
PDC831 (Cover Only)	•		

Heavy Duty Commercial Door Closer

DC70 / DC70BF



FEATURES:

- Tri-pack with regular, parallel and top-jamb mounting, instructions and full size template
- Standard spring adjustment from size 1 to 6
- Non-handed
- Standard with adjustable sweep, latch and back check
- Full plastic cover
- SNB - Sex nuts and bolts
- Standard hole pattern and mounting location
- 6 closers per shipping carton

OPTIONS:

- BF: Barrier-free (spring adjustment from size BF-4)
- CUSH: Heavy Duty Parallel Mount Cush Arm
- DA: Delay Closing Action
- H: Friction Hold Open Arm
- HCUSH: Hold Open Parallel Mount Cush Arm

CAUTION: Door closer for Low Opening Force Applications: Door closers installed in openings required to meet the requirements of The Americans with Disabilities Act or ANSI/BHMA Standard A117.1, when adjusted to meet those requirements, may not provide adequate closing power to dependably close and latch the door.



CODE COMPLIANCE:

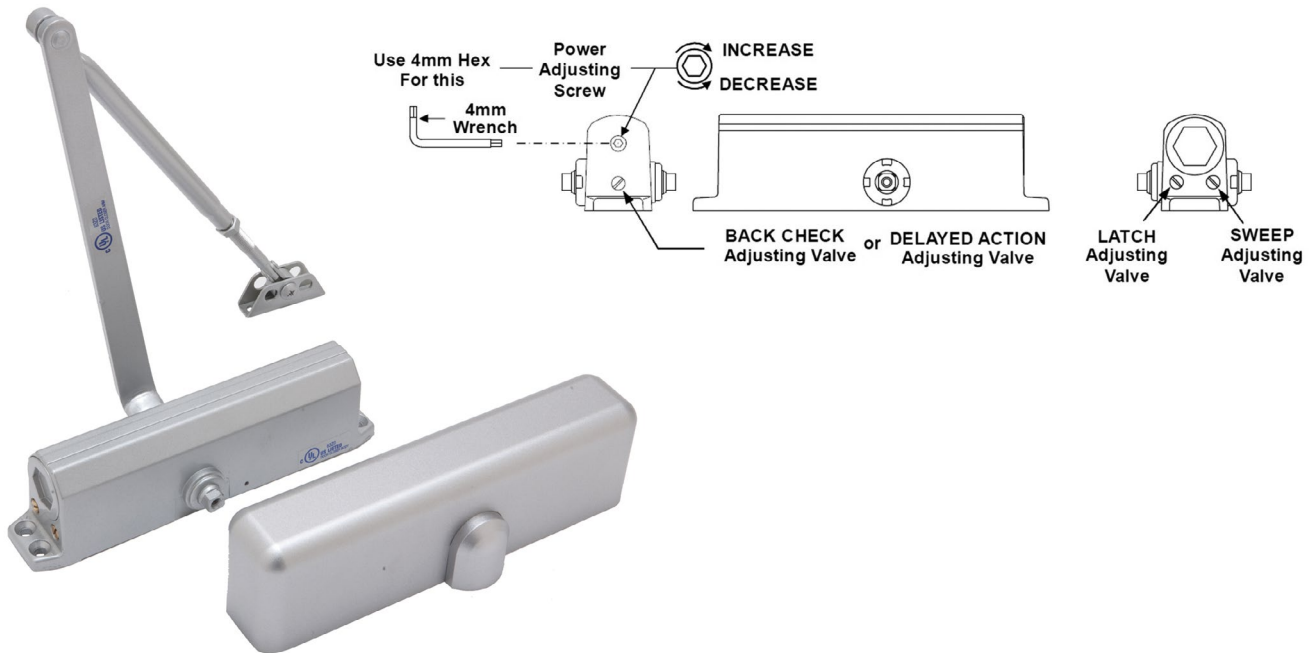
- ANSI A156.4 Grade 1. UL 1 OC and UBC 7.2 for positive pressure
- ANSI A117.1 and ADA for barrier-free accessibility C-UBC California Amended Uniform Builders Code - 2001
- California State Fire Marshall (CSFM) approved

LIMITED LIFETIME WARRANTY

Item	AL	DU	GD	US3	BLK
DC70 Regular Arm	•	•	•	•	•
DC70BF Spring option	•	•	•		
DC70CUSH	•	•			
DC70DA		•			
DC70H	•	•	•		

Standard Duty Commercial Door Closer

DC161 / DC161BF



FEATURES:

- Same hole pattern as Norton 1600
- Tri-pack with regular, parallel and top-jamb mounting, instructions and full size template
- Standard spring adjustment from size 2 to 6
- Non-handed
- Standard with adjustable sweep, latch and back check
- Slimline plastic cover
- SNB - Sex nuts and bolts

OPTIONS:

- BF: Barrier-free (spring adjustment from size BF-4)
- H: Hold Open Arm

CAUTION: Door closer for Low Opening Force Applications: Door closers installed in openings required to meet the requirements of The Americans with Disabilities Act or ANSI/BHMA Standard A117.1, when adjusted to meet those requirements, may not provide adequate closing power to dependably close and latch the door.

SPECIFICATIONS:

Full rack and pinion type with cast aluminum alloy body. All closers shall be provided with non-critical valves adjustment to independently regulate the sweep, latch and back-check. Closer shall have full spring adjustment from size 1 to size 4 for barrier-free (BF) size, and size 2 to size 6 for standard size. The closer shall be pre-adjusted at the factory to size 2 for the DC161BF and size 3 for DC161. Closer shall be non-handed with slim line cover with a projection of 3" from the surface of the door. All closers shall be mounted to allow the maximum degree of swing.



CODE COMPLIANCE:

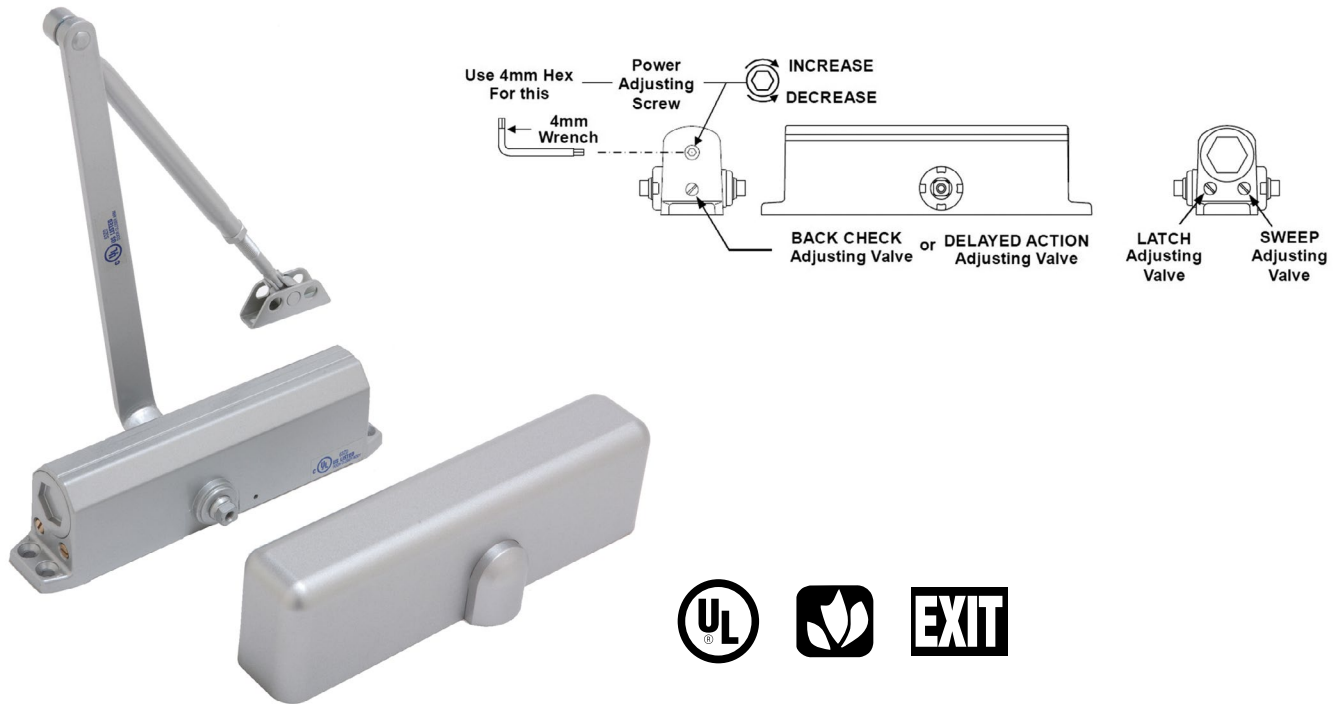
- ANSI A156.4 Grade 1 UL10C and UBC 7.2 for positive pressure
- ANSI A117.1 and ADA for barrier-free accessibility
- C-UBC California Uniform Builders Code - 2001
- California State Fire Marshall (CSFM) approved

10 YEAR LIMITED WARRANTY

Item	AL	DU
DC161	•	•
DC161BF	•	•
DC161H	•	•

Standard Duty Commercial Door Closer

DC50



FEATURES:

- 50 series fits Norton 1600 series hole pattern and mounting location
- Tri-pack with regular, parallel and top-jamb mounting instructions and full-size template
- Standard closer spring sized to 3, 4 with NO adjustment
- Non-handed
- Standard with adjustable sweep, latch
- Slim line plastic cover
- SNB - Sex nuts
- 10 closers per shipping carton

OPTIONS:

- BC: Backcheck adjustment valve

CODE COMPLIANCE:

- ANSI A156.4 Grade 2. UL10C and UBC 7.2 for positive pressure
- C-UBC California Amended Uniform Builders Code - 2001
- California State Fire Marshall (CSFM) approved
- NOTE: may need to consider other closer if barrier-free required. Please discuss with sales associate.

10 YEAR LIMITED WARRANTY

Item	AL	DU
DC53	•	•
DC54		•
DC54BC	•	

Closer Drop Plates

Drawings available upon request

DC 40 Closer

Item	Description	AL	DU	BLK
PDC4018	Pull Side (Door Jamb)	•	•	•
PDC4018G	Push Side (Top Jamb)	•		
PDC4018PA	Push Side (Door Mount)	•	•	•
PDC4018TJ	Push Side (Top Jamb)	•	•	
PDC403077EDA	Arm Only	•		
PDC40PA	PA Bracket		•	

DC 50 Closer

Item	Description	AL	DU
PDC50FP	Screw Pack		•
PDC50PA	Screw Pack	•	

DC 70 Closer

Item	Description	AL	DU
PDC7018	Drop Plate Pull Side Mount	•	•
PDC7018TJ	Drop Plate Top Jamb Mount		•
PDC70CVR	Cover Only	•	

DC 851 Closer

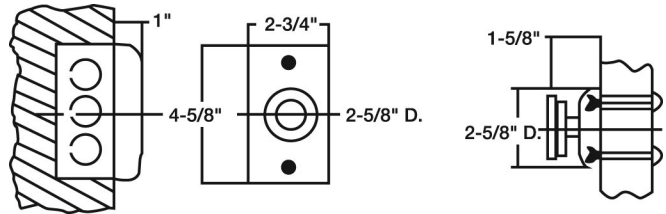
Item	Description	AL	DU
PDC8513146	Pull Side (Door Jamb) / Push Side (Top Jamb)	•	•
PDC8513148	Push Side (Top Jamb / Door Mount)	•	
PDC8513546	Pull Side (Door Jamb)	•	•
PDC8513548	Push Side (Door Mount)	•	
PDC831CVR	Cover Only	•	

Sex Bolts

Item	AL	DU	BLK
PDCSNB	•	•	•

Electro-Magnetic Door Holder

2100 Series



FEATURES:

- Multiple voltages standard 24V AC, 24V DC, 120V AC
- Recessed wall mounted fits inside standard single gang electrical box
- Includes 1/2" extension with product
- 1/2" and 3/4" extensions available

SPECIFICATIONS:

The 2100 Series Electro-magnetic Door Holder is stocked tri voltage. It can be wired to 12V DC, 24V AC/DC or 120V AC. Units can be used on fire/smoke barrier doors hold open until released by a remote switching device. They can also be used to just hold a door open. The armature is through bolted to the door for security. Extensions available for different projection requirements.

CODE COMPLIANCE:

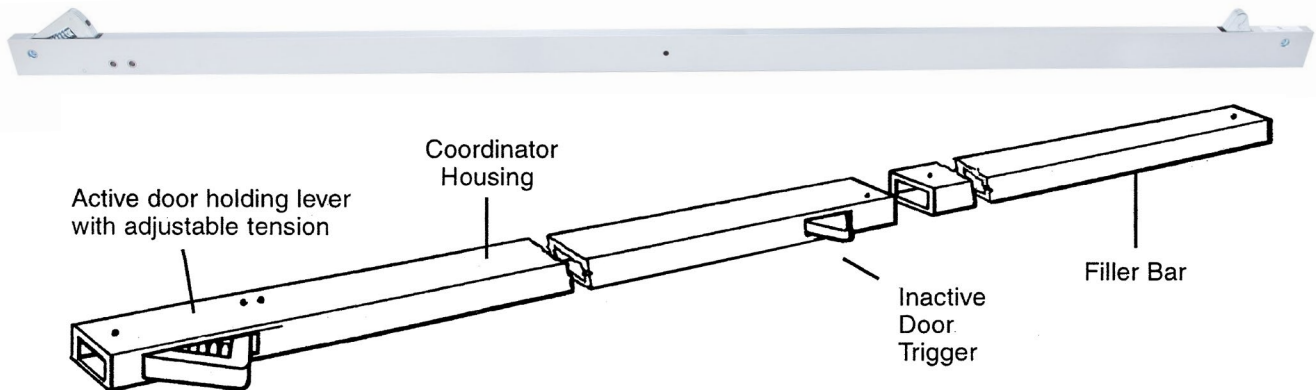


Under Writers US and Canada Listed
California State Fire Marshal Listed
Meets ANSI 156.15

Item	1/2" AL Extension	3/4" AL Extension	DU
MH2100			•
PMH20050	•		
PMH20075		•	

Coordinator and Accessories

COR 60 / COR 72 / COR 84



FEATURES:

- Extruded aluminum housing
- Adjustable tension override spring
- Filler bar provided allowing an even, unbroken line the full width of the opening
- Mounting screws #12 x 24 x 1-1/4"
- For use on fire-rated openings

OPTIONS:

	Opening Width	Coordinator Size	Filler Size
COR 60	5'	42"	18"
COR 72	6'	52"	20"
COR 84	7'	52"	32"

SPECIFICATIONS:

The COR model coordinator flat bar is made from extruded aluminum. Coordinator shall control the closing sequence so the active door is held open until the inactive door closes, triggering the release of the active door allowing for proper latching. Filler bar shall be provided allowing an even, unbroken line the full width of the opening. Optional PCORMB434 or PCORMB414 shall be ordered for each piece of hardware to be mounted over the bar coordinator.



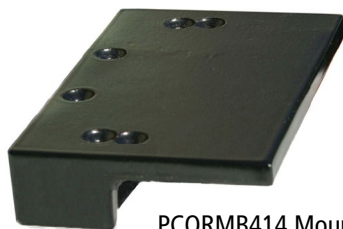
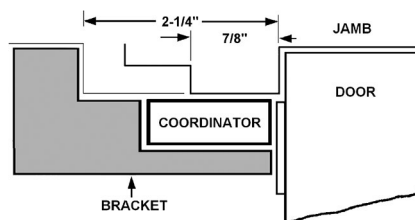
CODE COMPLIANCE:

- ANSI 156.3 Type 21A
- Conforms to UL10C and UBC 7-2
- ANSI A117.1 and ADA for barrier-free accessibility
- C-UBC California Uniform Builders Code
- NFPA-80 National Fire Protection Association
- NFPA-101 National Fire Protection, Life Safety

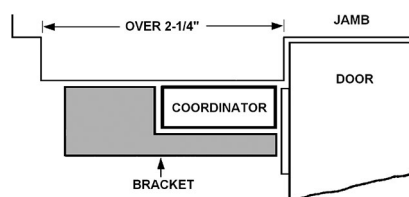
1 YEAR LIMITED WARRANTY



PCORMB434 Mounting Bracket (2 step)
Jamb Depth 4-3/4" Min.
5/8" Stop Height - For Stop over 2-1/4"
(sold as pair)



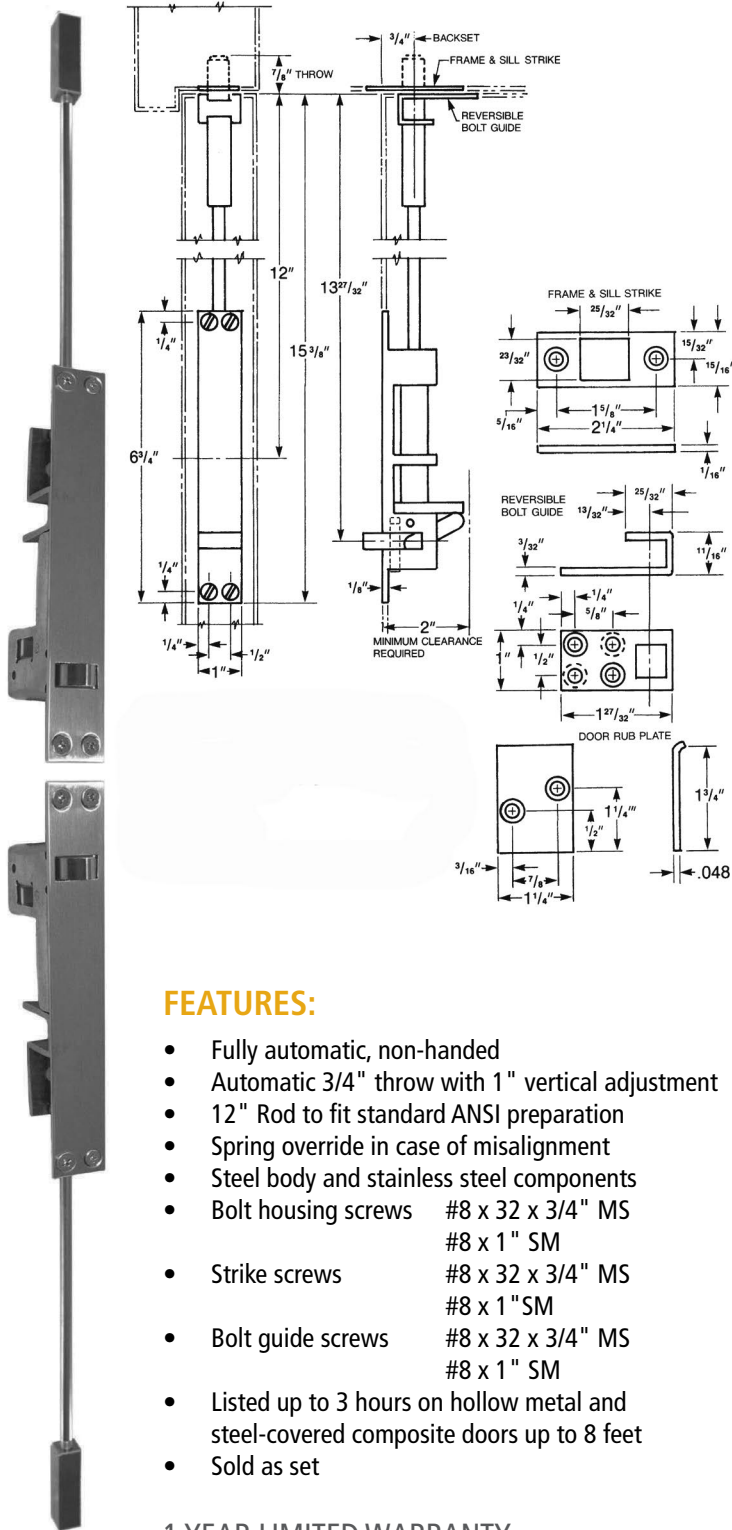
PCORMB414 Mounting Bracket (1 step)
Jamb Depth 4-1/4" Min.
5/8" Stop Height - For Stop Width 7/8" to 2-1/4"
(sold as pair)



Item	AL	BLK
COR60	•	
COR72	•	
COR84	•	
PCORMB414		•
PCORMB434		•

Automatic Flush Bolts

FBA292 – for metal doors



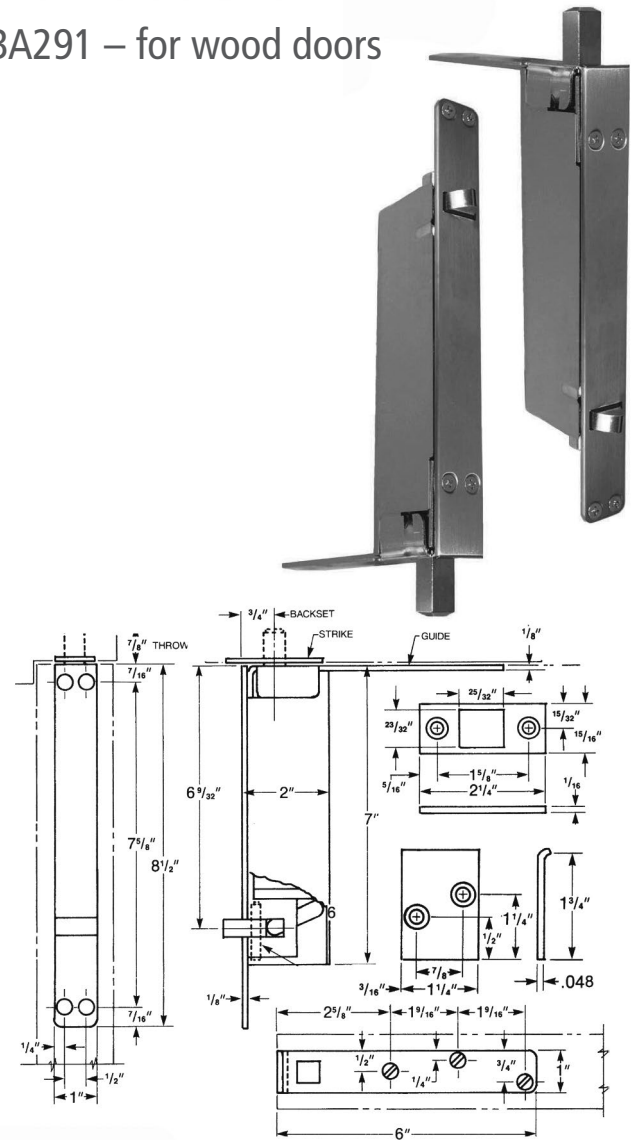
FEATURES:

- Fully automatic, non-handed
- Automatic 3/4" throw with 1" vertical adjustment
- 12" Rod to fit standard ANSI preparation
- Spring override in case of misalignment
- Steel body and stainless steel components
- Bolt housing screws #8 x 32 x 3/4" MS
- Strike screws #8 x 1" SM
- Bolt guide screws #8 x 32 x 3/4" MS
- Bolt guide screws #8 x 1" SM
- Bolt guide screws #8 x 32 x 3/4" MS
- Bolt guide screws #8 x 1" SM
- Listed up to 3 hours on hollow metal and steel-covered composite doors up to 8 feet
- Sold as set

1 YEAR LIMITED WARRANTY

Item	US3	10B	US26	26D	BLK
FBA292	•	•	•	•	•

FBA291 – for wood doors



FEATURES:

- Fully automatic, non-handed
- Automatic 3/4" throw and 3/4" vertical adjustment
- Spring override in case of misalignment
- Steel body and stainless steel components
- Bolt housing screws #8 x 3/4" SM
- Strike screws #8 x 3/4" SM
- Bolt guide screws #10 x 7/8" SM
- Rub plate screws #8 x 3/4" SM
- Listed up to 1-1/2 hours on composite wood doors up to 8 ft.
- Sold as set

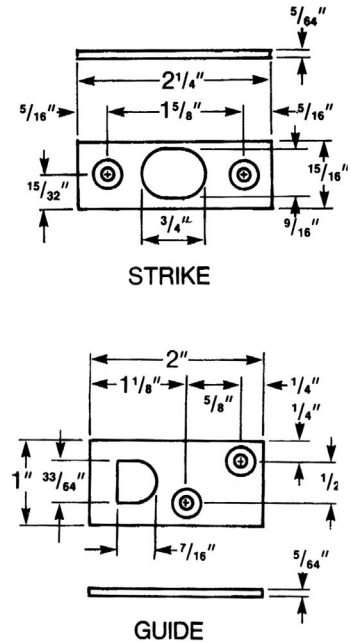
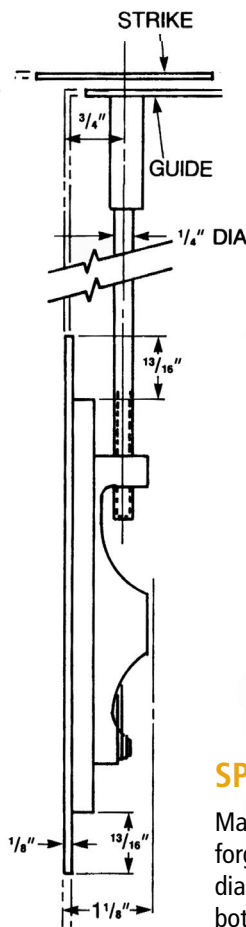
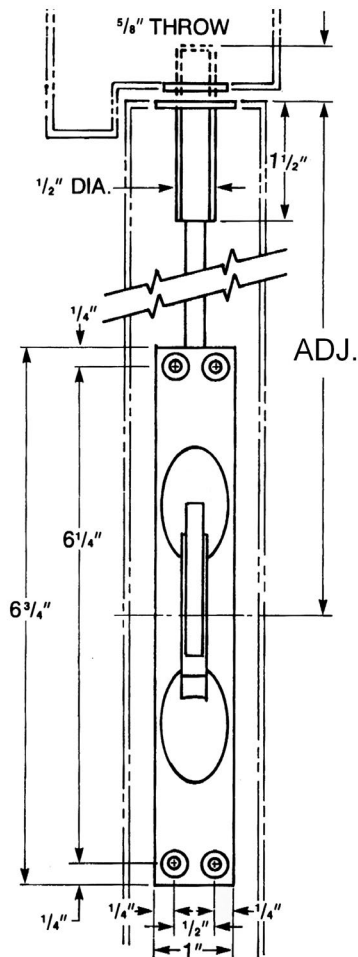
CODE COMPLIANCE:



Item	10B	US26	26D
FBA291	•	•	•

Manual Flush Bolts

FB197



FEATURES:

- FB197 - Forged brass
- Non-handed
- 5/8" Throw with 7/8" vertical adjustment
- 12" Rod to fit standard ANSI preparation
- Spring loaded lever to project or retract bolt
- Forged brass construction
- Bolt housing screws #8 x 32 x 1/2" MS
- Strike screws #8 x 32 x 1/2" MS
- Bolt guide screws #8 x 32 x 1/2" MS
- Listed up to 3 hours on hollow metal and steel-covered composite doors up to 8 ft.

SPECIFICATIONS:

Manual flush bolt model number FB197 is made from forged brass. Flush bolts shall be provided with 1/2" diameter brass bolts and project 5/8" from the top or bottom edge of door with 7/8" vertical adjustment. Flush bolts shall have spring loaded lever to project or retract the bolts.



CODE COMPLIANCE:

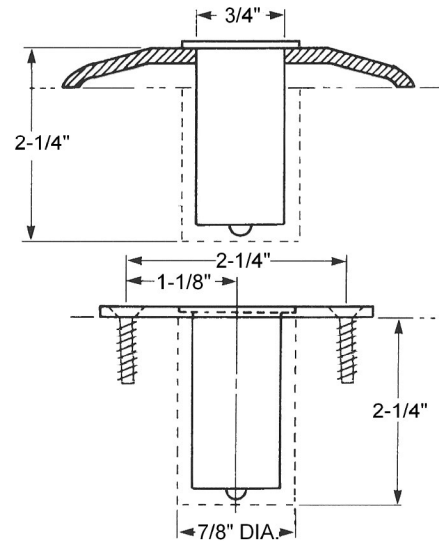
- FED. SPEC. - 1049
- ANSI A156.16
- BHMA - LI4081
- NFPA-80 National Fire Protection Association

1 YEAR LIMITED WARRANTY

Item	US3	10B	US26	26D	BLK
FB197	•	•	•	•	•

Dust Proof Strike

DPS280



FEATURES:

- Spring loaded 3/4" plunger
- Both floor and threshold installation
- Faceplate 3" x 1-1/2"
- Body diameter 15/16"
- Over all depth 2-1/4"
- Strike screws #12 x 1-1/2"
- Plastic anchors
- Listed for use up to 3 hours

SPECIFICATIONS:

Dust proof strike model number DPS280 is made from extruded brass. All dust proof strikes shall be provided with 3/4" diameter spring loaded plunger that returns to the floor level when the flush bolt is retracted.



CODE COMPLIANCE:

- ANSI - A156.16
- BHMA – L14011 - L14012
- Conforms to UL10C and UBC 7-2
- ANSI A117.1 and ADA for barrier-free accessibility
- C-UBC California Uniform Builders Code
- NFPA-80 National Fire Protection Association
- NFPA-101 National Fire Protection, Life Safety

1 YEAR LIMITED WARRANTY

Item	10B	US26	26D	BLK
DPS280	•	•	•	•

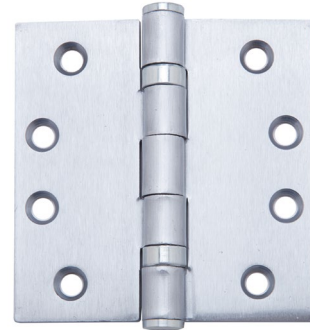
Commercial Hinges

DH179 – Full Mortise, Standard Weight Hinge

DHBB179 – Full Mortise, Standard Weight Hinge (Ball Bearing)

FEATURES:

- Full mortise, square corner, standard weight steel template hinge
- Material Gauge
 - 4" = .123
 - 4-1/2" = .134
 - 5" = .145
- Plain bearing or ball bearing
- Screw packages
 - All Machine Screws (AMS) and
 - All Wood Screws (AWS)
- Machine Screws
 - Phillips (#1) flat-head
 - 12 x 24 x 1/2"
- Wood Screws
 - Phillips (#1) flat-head
 - 12 x 1-1/4"
- Also available NRP (Non-Removable Pin)



OPTIONS:

- NRP - Non-Removable Pin with set screw
- DHBB179SS - Stainless steel base metal (32D)
- DHBB179BR - Brass based

PACKAGING INFORMATION:

Size 4" & 4-1/2" - 3 Hinges per BOX (48 per carton)
 Size 5" - 3 Hinges per BOX (24 per carton)
 (Hinges also sold individually)

Note: NRP (Non-Removable Pin) available on most sizes. Contact sales department for availability.

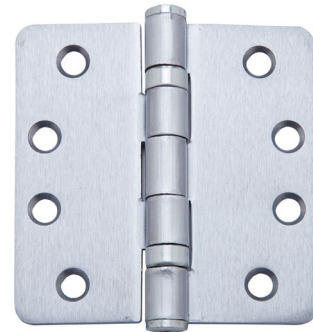
Item	Size	US3	US4	10B	15	26	26D	32D	L1	15A	USP
DH179	4x4, 4.5x4.5	•	•	•	•	•	•		•	•	
DH179	4.5x4	•	•			•					
DHBB179	4x4	•	•	•	•	•	•		•		
	4.5x4	•	•	•		•					
	4.5x4.5	•	•	•	•	•	•	•	•		•
	5x4.5	•		•		•	•				
DHBB179BR	4.5x4.5			•			•				
	5x4.5			•			•				
DHBB179SS	5x4.5						•				

DHRC179 – 1/4" Radius Corner, Standard Weight

DHRCBB179 – 1/4" Radius Corner, Standard Weight (Ball Bearing)

FEATURES:

- Full mortise, 1/4" radius corner, standard weight steel template hinge
- Material gauge - 3-1/2" = .119, 4" = .129
- Plain bearing or ball bearing (4 x 4 only)
- Screw packages - All Machine Screws (AMS) and All Wood Screws (AWS)
- 3-1/2" - AMS (10 x 24 x 1/2) and AWS (9 x 1")
- 4" - AMS (12 x 24 x 1/2) and AWS (12 x 1-1/4")
- NRP - Non-Removable Pin stocked 4 x 4 size only RC179 and RCBB179



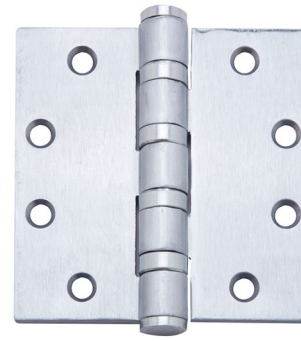
PACKAGING INFORMATION:

- Size 3.5" x 3.5" - 2 Hinges per BOX and 100 per Carton
- Size 4" x 4" - 3 Hinges per BOX and 48 per Carton
 (Hinges also sold individually)

Item	Size	US3	US4	10B	15	26	26D	L1
DHRC179	3.5 x 3.5	•	•	•	•	•	•	•
	4 x 4	•	•	•	•	•	•	•
DHRCBB179	4 x 4	•	•	•	•	•	•	•

Commercial Hinges

DHBB168 – Full Mortise, Heavy Weight Hinge



FEATURES:

- Full mortise, square corner, heavy weight steel template hinge
- Material gauge
4-1/2" = .180
5" = .190
- Four ball bearings
- Stock sizes 4-1/2" x 4-1/2" and 5" x 4-1/2"
- Screw packages - All Machine Screws (AMS) and Half Wood Screws (1/2 WS)
- Machine screws - Phillips (#1) flat-head - 12 x 24 x 1/2"
- Wood screws - Phillips (#1) flat-head - 12 x 1-1/4"
- Available NRP - Non-removable pin

PACKAGING INFORMATION:

- Size 4.5" x 4.5" - 3 Hinges per BOX and 24 per Carton
- Size 5" - 3 Hinges per BOX and 24 per Carton (Hinges also sold individually)

Item	Size	US3	10B	26	26D	L1	32D
DHBB168	4-1/2 x 4-1/2	•	•	•	•	•	
	5 x 4-1/2	•	•		•		
DHBB168BR	4-1/2 x 4-1/2	•	•		•		
	5 x 4-1/2	•	•		•		
DHBB168SS	4-1/2 x 4-1/2						•
	5 x 4-1/2						•

DHSP179 – Commercial Weight Spring Hinge

DHRCSP179 – Commercial Weight Spring Hinge

FEATURES:

- Material gauge - .134
- Adjustable spring tension
- Screw packages - All Machine Screws (AMS) and All Wood Screws (AWS)
- Machine screws Phillips (#1) flat-head - 12 x 24 x 1/2"
- Wood Screws Phillips (#1) flat-head - 12 x 1-1/4"

PACKAGING INFORMATION:

- Size 4" & 4-1/2" - 3 Hinges per BOX and 48 per Carton (Hinges also sold individually)



Full Mortise, Square Corner, Spring Hinges, Steel Template Hinge



Full Mortise, 1/4" Radius Corner, Spring Hinges, Steel Hinge

Item	Size	US3	US4	10B	15	26	26D	L1
DHRCS P179	4 x 4	•	•	•	•		•	•
DHSP179	4-1/2 x 4-1/2	•		•	•	•	•	•

Commercial Hinges

DHC700 / DHCB700 – Standard Weight, 3 Knuckle, Concealed Bearing Hinge

FEATURES:

- Full mortise, square corner, standard weight template hinge
- Material gauge - 4-1/2" = .134
5" = .145
- Plain bearing or concealed bearing
- Screw packages - all machine screws (AMS) and all wood screws (AWS)
- Machine screws - Phillips (#1) flat-head - 12 x 24 x 1/2"
- Wood screws - Phillips (#1) flat-head - 12 x 1-1/4"

PACKAGING INFORMATION:

- Size 4.5" x 4.5" - 3 Hinges per BOX and 48 per Carton
- Size 5" - 3 Hinges per BOX and 24 per Carton
(Hinges also sold individually)



CODE COMPLIANCE:

- ANSI type A8133-3 (DHC700) AND A8112-3 (DHCB700)
- Meet USA federal spec. #FF-H-116C
- C-UBC California Amended Uniform Builders Code - 2001
- NFPA-80 National Fire Protection Association - 1999
- NFPA-101 National Fire Protection Association Life Safety - 2000

Item	Size	10B	26D	32D
DHC700 Brass	4-1/2 x 4-1/2	•	•	
DHC700 SS	4-1/2 x 4-1/2			•
DHCB700	4-1/2 x 4-1/2		•	
DHCB700 Brass	4-1/2 x 4-1/2	•	•	
DHCB700 SS	4-1/2 x 4-1/2			•
DHC700	5 x 4-1/2		•	
DHCB700 Brass	5 x 4-1/2		•	

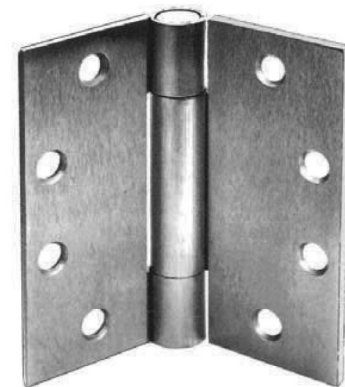
DHCB800 – Heavy Weight, 3 Knuckle, Concealed Bearing Hinge

FEATURES:

- Full mortise, square corner, heavy weight steel template hinge
- Material Gauge 4-1/2" = .180
5" = .190
- Screw packages - All machine screws (AMS) and half wood screws (1/2 WS)
- Machine screws - Phillips (#1) flat-head -12 x 24 x 1/2"
- Wood screws - Phillips (#1) flat-head -12 x 1-1/4"

PACKAGING INFORMATION:

- Size 4.5" & 5" - 3 Hinges per BOX and 24 per Carton
(Hinges also sold individually)



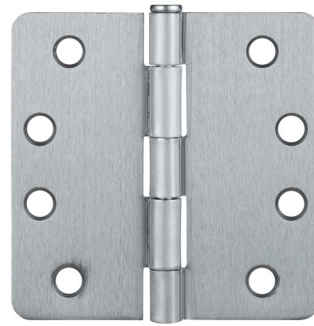
CODE COMPLIANCE:

- ANSI type A8111-3 (DHCB800)
- Meet USA federal spec. #FF-H-116C
- C-UBC California Amended Uniform Builders Code - 2001
- NFPA-80 National Fire Protection Association - 1999
- NFPA-101 National Fire Protection Association - Life Safety - 2000

Item	Size	10B	32D
DHCB800 Brass	4-1/2" x 4-1/2"	•	
DHCB800 SS	4-1/2" x 4-1/2"		•
	5" x 4-1/2"		•

Commercial Hinges

DHTM214 – 1/4" Radius Corner, Light Weight Commercial Hinge



FEATURES:

- Full mortise, 1/4" radius corner hinge designed for prefinished steel frames
- Material gauge - .085
- Plain bearing
- Screw packages - all machine screws (AMS) and half wood screws (1/2 WS)
- 3-1/2" - AMS (10 x 24 x 1/2) and 1/2 WS (9 x 1")
- 4" - AMS (12 x 24 x 1/2) and 1/2 WS (12 x 1-1/4")

*NRP- Non-Removable Pin stocked in 4" x 4" only

PACKAGING INFORMATION:

- Size 3-1/2 x 3-1/2 - 2 hinges per box and 100 per carton
- Size 4 x 4 - 3 hinges per box and 48 per carton (Hinges also sold individually)

Item	Size	10B	26D	L1
DHTM214	3-1/2 x 3-1/2	•	•	•
	4 x 4	•	•	•
DHNTM214	4 x 4*	•	•	

DHTS214 – 1/4" Radius Corner, Light Weight Commercial Spring Hinge

FEATURES:

- Full mortise, 1/4" radius corner hinge designed for prefinished steel frames
- Material gauge - .097
- Adjustable spring tension
- Screw packages - all machine screws (AMS) and half wood screws (1/2 WS)
- 4" - AMS (12 x 24 x 1/2") and 1/2 WS 12 x 1-1/4"

PACKAGING INFORMATION:

- 2 hinges per box and 80 per carton (Hinges also sold individually)



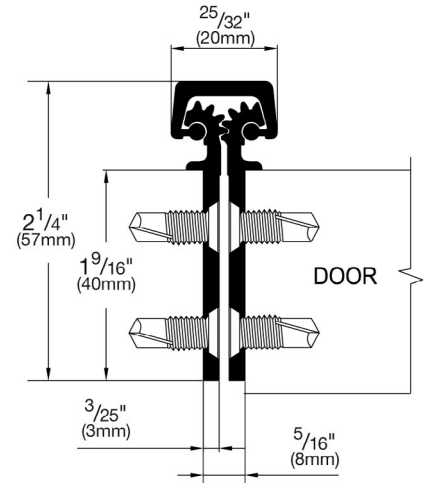
Item	Size	10B	26D	L1
DHTS214	4 x 4	•	•	•

Continuous Geared Aluminum Hinges

CH881120HD / CH882240HD – Heavy Duty Full-Mortise

FEATURES:

- Concealed/mortise leaf
- May be used with any door material
- Heavy duty for high frequency 1 3/4" doors or heavy medium frequency doors up to 450 lbs.
- For new construction
- For renovation with new door and/or frames
- No mortising of doors or frame required
- Will cover hinge cut outs in frames
- Flush mount, no inset
- Frame and door leaf alignment ribs for proper hinge location



SPECIFICATIONS:

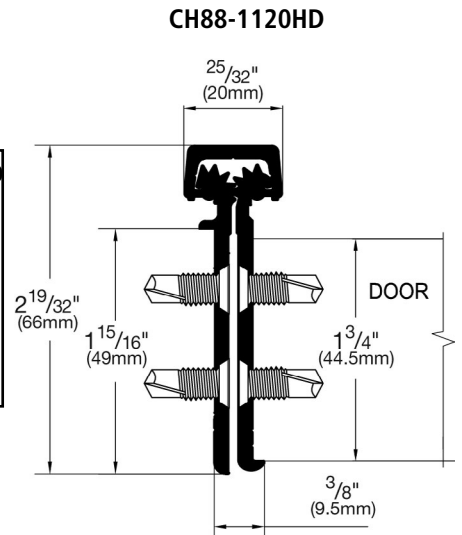
FASTENERS: Self-tapping Screws
Full Mortise Hinges

- All fasteners are No. 12-24 x 1/16" Type C, FHUC
- Heavy duty hinges - 10 required for each leaf

LENGTH OPTIONS: 83" (7'0" opening) & 95" (7'2" - 8'0" opening)

DOOR REINFORCEMENT: None needed. Use 16-gauge channel over 200 lbs.

FRAME REINFORCEMENT: None needed to 200 lbs. Use 16-gauge channel over 200 lbs.



MODEL#	LENGTH	SCREW COUNT DOOR/JAMB	CLEARANCE
CH881120HD	83"	19/19	5/16" (8mm) hinge side plus standard lockside clearance
CH881120HD	95"	19/19	5/16" (8mm) hinge side plus standard lockside clearance
CH882240HD	83"	19/19	5/16" (8mm) hinge side plus standard lockside clearance
CH882240HD	95"	19/19	5/16" (8mm) hinge side plus standard lockside clearance

Available Finishes:
CLR (Clear Anodized Aluminum)
DB (Dark Bronze Anodized Aluminum)
BLK (Black)

LIMITED LIFETIME WARRANTY

Item	Length	CLR	DB	BLK
CH881120HD	83"	•	•	•
	95"	•	•	
CH882240HD	83"	•	•	•
	95"	•	•	

Continuous Geared Aluminum Hinges

CH881570HD / CH882100HD – Heavy Duty Full Surface

FEATURES:

- Full surface
- May be used with any door material
- Heavy duty for high frequency 1-3/4" doors or heavy medium frequency doors up to 450 lbs.
- Replacement for existing doors and frames 7/8" minimum frame 1/16" inset

SPECIFICATIONS:

FASTENERS:

Self-Tapping screws. Full surface hinges

1) Frame Portion

- All fasteners are No. 12-24 x 1/16" type C, FHUC
 - Heavy duty hinges - 10 required for each leaf

2) Door Portion

- Throughbolt 1/4 in. -20 x 1-5/8" PCH
 - Heavy duty hinges - 6 required for each leaf
- Shoulder bolt 1/4 in. -20 x 1" PCH
 - Heavy duty hinges - 6 required
- Pan head self drilling No. 12 x 3/4"
 - Heavy duty hinges - 4 required

LENGTH OPTIONS: 83" (7'0" opening) & 95" (7'2" - 8'0" opening)

DOOR REINFORCEMENT: None needed

FRAME REINFORCEMENT: None needed to 200 lbs. Use 16-gauge channel over 200 lbs.

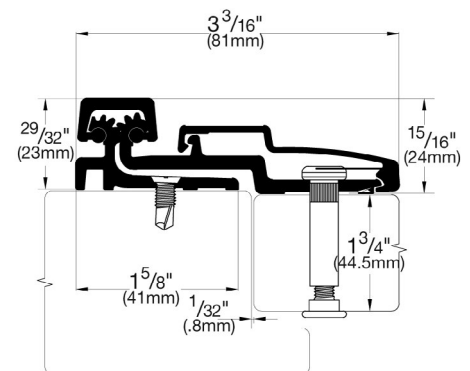
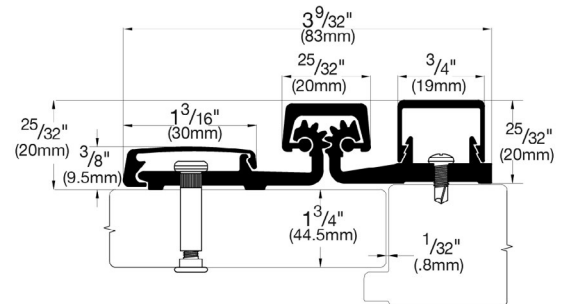
MODEL#	LENGTH	SCREW COUNT DOOR/JAMB	CLEARANCE
CH881570HD	83"	19/19	1/32" (1mm) minimum recommended for hinge side plus standard lockside clearance
CH881570HD	95"	20/20	
CH882100HD	83"	19/19	1/32" (1mm) minimum recommended for hinge side plus standard lockcase clearance
CH882100HD	95"	20/20	1 5/8" (41mm) minimum frame face required plus 3/16" (5mm) rotational clearance

Available Finishes:

CLR (Clear Anodized Aluminum)

DB (Dark Bronze Anodized Aluminum)

LIMITED LIFETIME WARRANTY



Item	Length	CLR	DB
CH881570HD	83"	•	•
	95"	•	•
CH882100HD	83"	•	•
	95"	•	•

Residential Hinges

DHRC114 / DHRC158 – 1/4" and 5/8" Radius Corner



FEATURES:

- Full mortise, 1/4" or 5/8" radius corner non-template steel hinge
- Material gauge - .085
- Plain bearing
- Screw packages - all wood screws (AWS)
- Wood screws for 3-1/2" - Phillips (#1) flat-head - 9 x 3/4"
- Wood screws for 4" - Phillips (#1) flat-head - 9 x 1"
- NRP (Non-Removable Pin) stocked in 4"x 4" only

PACKAGING INFORMATION:

- Bulk only
- 100 hinges per shipping carton
(Hinges also sold individually)

Item	Size	US3	US4	10B	15	26	26D	L1
DHRC114	3.5 x 3.5	•	•	•	•		•	•
	4 x 4*	•	•	•	•	•	•	•
DHRC158	3.5 x 3.5	•	•	•	•	•	•	•
	4 x 4	•	•	•	•		•	•

*NRP available

DHRCSP114 / DHRCSP158 – 1/4" and 5/8" Radius Corner, Spring Hinge

FEATURES:

- Full mortise, 1/4" or 5/8" radius corner, spring hinge
- Material gauge - .097
- Adjustable spring tension
- Screw packages - all wood screws (AWS)
- Wood screws for 4" - Phillips (#1) flat-head - 9 x 1"

PACKAGING INFORMATION:

- 3 Hinges per BOX and 48 per carton
(Hinges also sold individually)



Item	Size	US4	15	26	26D	L1
DHRCSP114	4 x 4	•	•	•	•	•
DHRCSP158	4 x 4	•			•	

Pushes and Pulls



PPN4016R PPN4016R8 PPN4016R10 PPN4016



KPN1034 – 10" x 34" Kick Plate

FEATURES:

- All plate goods are 16-gauge (.050) thick
- Stainless steel SS430 (less nickel)
- Plates individually wrapped with mounting screws
- Pull plates and handles have mounting screws for 1-3/4" thick door
- All plates packed with stainless steel sheet metal screws plated to match finish

OPTIONS:

- Available in the following pull sizes:
 - R6: 3/4" dia. in 32D, DB, BLK
 - R8: 3/4" dia. in 32D, DB
 - R10: 1" dia. in 32D, DB
- PPN4016 4" x 16" Push Plate
- PPN4016R 4" x 16" Plate with Round Pulls
- Round Pull, 6", 8" and 10" C to C
4016 push plate and 4016R pull plates stocked as SS430 stainless (less nickel) size 4" x 16" only. Specify PPN.

SPECIFICATIONS:

Plate goods shall be by Doormerica model number PPN and made from stainless steel. All plates to be a minimum of 16-gauge (.050) and beveled on four sides. All plates to be provided with stainless steel Phillips sheet metal screws plated to match finish. Each plate shall be individually wrapped with mounting screws.

Item	DB	32D	BLK
PPN4016R	•	•	•
PPN4016R8	•	•	
PPN4016R10	•	•	
PPN4016	•	•	•

FEATURES:

- All plate goods are 16-gauge (.050) thick
- Stainless steel SS430 (less nickel)
- Plates individually wrapped with mounting screws
- All plates packed with stainless steel sheet metal screws plated to match finish
- Kickplates are not beveled

OPTIONS:

- KPN0834 - 8" x 34" Kick Plate
- KPN1034 - 10" x 34" Kick Plate
- KPN1234 - 12" x 34" Kick Plate

SPECIFICATIONS:

Plate goods shall be by Doormerica model number KPN made from plate brass or stainless steel. All plates to be a minimum of 16-gauge (.050). All plates to be provided with stainless steel Phillips sheet metal screws plated to match finish. Each plate shall be individually wrapped with mounting screws.

Item	DB	32D	BLK
KPN0834	•	•	•
KPN1034	•	•	•
KPN1234	•	•	•

Door Guards

DDL – Privacy Latch

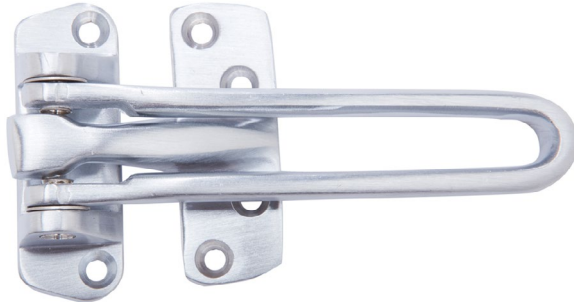
FEATURES:

- Easy to operate
- ADA compliant
- Meets NFPA 80 5.2.13.3



OPTIONS:

- DGDEP128 - Door Angle Protector
- DGS128 - Door Guard Shim



DG128BR

FEATURES:

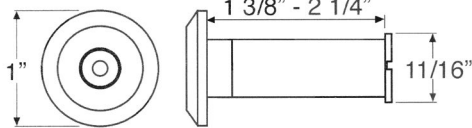
- Solid forged brass
- Positive projection lock ball not allowing forced entry
- Swing bar folds out of place when not in use
- Maximum 4" door opening when engaged
- Cannot be disengaged unless door is fully closed

Item	US3	10B	US15	26D	US26	BLK
DDL		•	•	•		•
DG128BR	•	•	•	•	•	
DGDEP128		•	•	•	•	
DGS128						•

Viewers

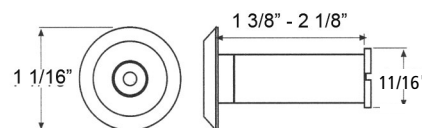


DV190
Door Viewer
9/16" Bore Diameter



DV3315 & DV4315*
*with Privacy Cover

UL Listed Door Viewer
9/16" Bore Diameter



FEATURES:

- DV190 - 190 Degrees Viewing Area
Polished Plastic Lenses
- DV3315 - 200 Degrees Viewing Area
Polished Plastic Lenses
- DV4315 - 200 Degrees Viewing Area
Polished Plastic Lenses
Includes Privacy Cover
- All viewers solid cast brass

Item	10B	26	26D	US3	US19	US15
DV190	•	•	•			•
DV3315	•	•	•	•	•	•
DV4315	•		•			•

Door Holders

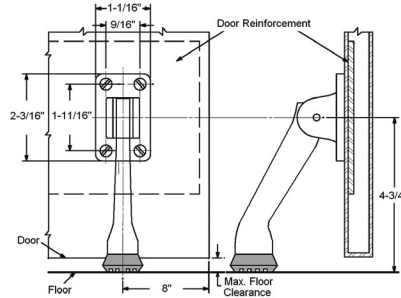


SH1235

Drop Down Door Holder

FEATURES:

- SH1235BR - 5" Cast Brass Holder
- Stops individually wrapped with mounting screws
- Polybagged with 3 or 4 sheet metal screws.



Item	US3	10B	26D
SH1235BR	•	•	•

Wall Stops

SH401

Concave Wall Stop



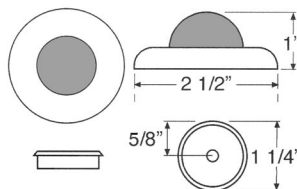
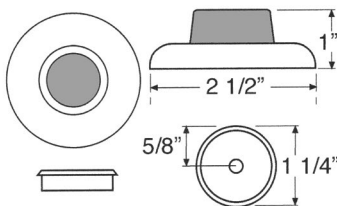
SH406

Convex Wall Stop



FEATURES:

- SH401 - Concave Wall Stop
- SH406 - Convex Wall Stop
- All wall stops are wrought steel
- Stops individually wrapped with mounting screws
- Polybagged With: 1 Plastic Anchor
1 Sheet Metal Screw



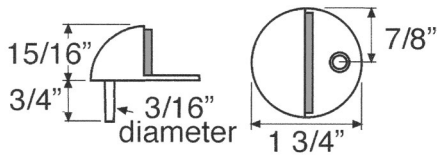
Item	US3	10B	15	26	26D
SH401	•	•	•	•	•
SH406		•	•		•

Floor Stops

Low Dome Stop



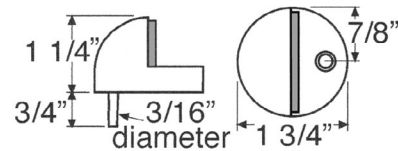
SH436



High Dome Stop



SH438



FEATURES:

- SH436 - 1/4" Rise x 1" Low Dome Stop
- SH438 - 1/2" Rise x 1-1/4" High Dome Stop
- All floor stops are cast brass
- Stops individually wrapped with mounting screws
- Polybagged with: 1 Plastic Anchor
1 Sheet Metal Screw
1 Lead Anchor

FEATURES:

- SH444 - 3-1/8" High Floor Stop
- Solid Cast Brass
- Stops individually wrapped with mounting screws
- Polybagged with: 1 Plastic Anchor
1 Sheet Metal Screw
1 Lead Anchor

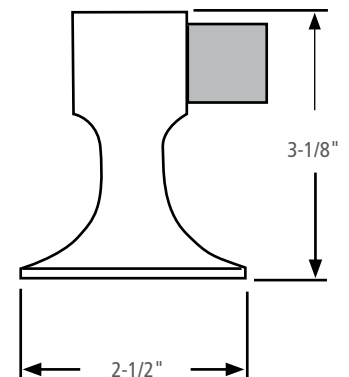
SPECIFICATIONS:

Door stop model number SH444 is made from solid cast brass. All stops to be provided with steel Phillips sheet metal screws plated to match finish. Each stop shall be individually wrapped with mounting screws.

Floor Mount Stop



SH444



Item	US3	10B	15	26	26D
SH436	•	•	•	•	•
SH438	•	•	•	•	•
SH444	•	•		•	•

Roller Latches

FEATURES:

- Actuation is simple, closing of the door causes the roller to fall in the depression of the strike, thereby holding the door closed.
- The projection of the roller is easily adjusted using adjusting screws on the face of the unit
- Maximum projection of the roller is 3/8" allowing for variance in the door clearance.
- Nylon roller standard
- Forged brass construction
- Meets ANSI/BHMA A156.16, E19091
- Finishes 10B, 26D



RL300

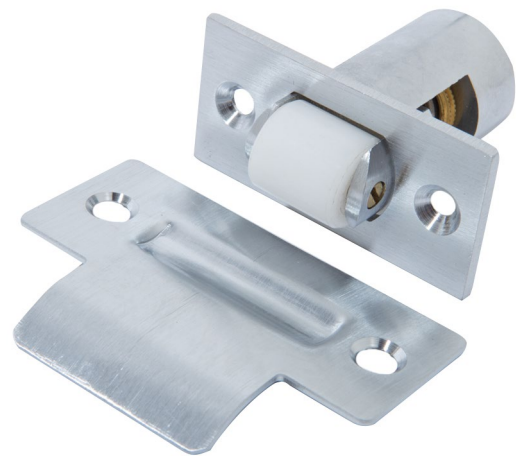
DIMENSIONS:

Body: 1" Wide x 3-3/8" Long x 1-5/8" Deep

Strike: 1-11/16" Wide x 2-3/16" Long x 5/32" Thick

FEATURES:

- Actuation is simple, closing of the door causes the roller to fall in the depression of the strike, thereby holding the door closed.
- The projection of the roller is easily adjusted by turning knurled knob on back of latch.
- Maximum projection of the roller is 1/2" allowing for variance in the door clearance.
- Fits heavy-duty cylindrical lock cutout
- Nylon roller standard
- Non-handed
- Brass or stainless steel construction
- Meets ANSI/BHMA A156.16, E19101
- Finishes 26D



RL320

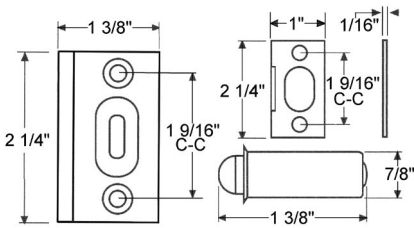
DIMENSIONS:

Body: 1-1/8" Wide x 2-1/4" Long x 1-3/4" Deep

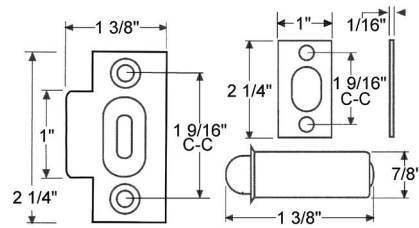
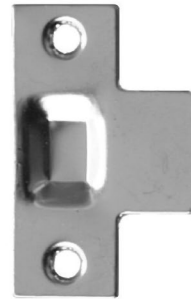
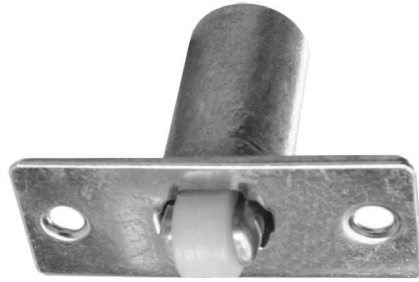
Strike: 1-1/8" Wide x 2-3/4" Long x 1/16" Thick

Item	10B	26D
RL300	•	•
RL320		•

Ball Catches



BC2950 - Ball Catch



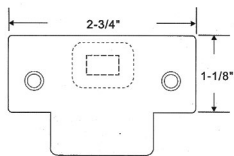
BC2955 - Roller Catch

FEATURES:

- BC2950 - Ball Catch
- BC2955 - Roller Catch
- Dual adjustment for door clearance and holding strength
- Lip strike designed for jamb mounting
- Ball catch individually wrapped with mounting screws

OPTION:

- BC2955T - with 2-3/4" x 1-1/8" T Strike
Packed with #8 x 32 metal screws



SPECIFICATIONS:

Ball catch model numbers BC2950 and BC2955 are provided with high-tension steel compression springs to provide solid engagement with strike. All ball catches provided with Phillips sheet metal screws, plated to match finish for proper ball and strike mounting. Each ball catch shall be individually wrapped.

1 YEAR LIMITED WARRANTY

Item	US3	10B	US15
BC2950	•	•	•
BC2955	•	•	•
BC2955T	•	•	•

ADA Signs



HS69W



HS69R

Item	Description	Size
HS69W	ADA Women's With Braille	8 x 8
HS69R	ADA Unisex With Braille	8 x 8

Premium Sliding Barn Door Hardware Set Design Kit

Wood Type 1



FEATURES:

- Designed for wood doors 1-3/4" & 1-3/8" thick
Top-mounted hardware
Door weight up to 176 pounds per door
- Materials:
304 Stainless steel track
304 Stainless steel carriers with nylon coated rollers
- Product Standards:
Product designed and tested to follow ANSI Grade 1 Standards
- Finishes Available:
Brushed stainless steel, dark bronze

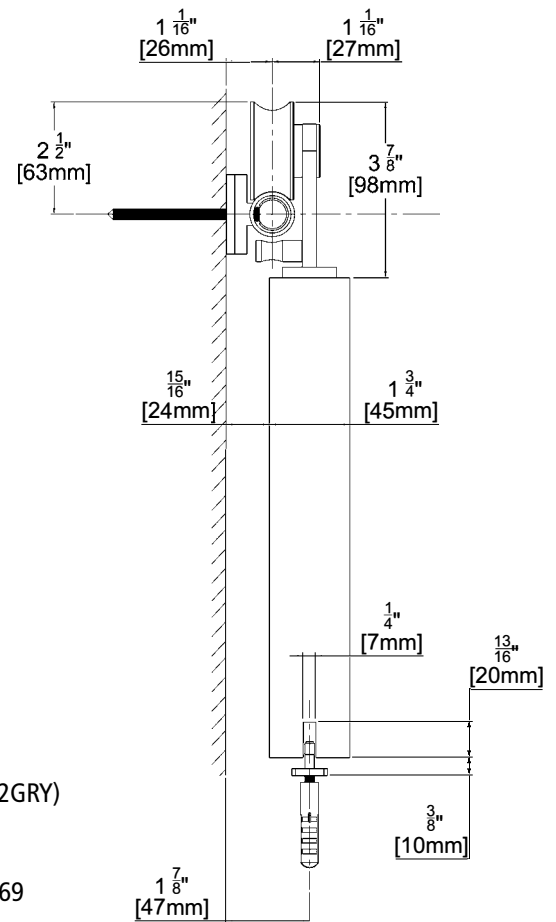
Kits Include:

- 1 ea. Track with Wall Brackets
- 2 ea. Carriers (WDT1CARRIERSS / WDT1CARRIERDB)
- 2 ea. Track Stops (PREMSTOP03SS / PREMSTOP03DB)
- 1 ea. Door Bottom Guide (PREMFLGUIDE03SS / PREMFLGUIDE03BLK)
- 1 ea. Wall Mount Channel Door Guide (PREMFLGUIDE12BLK / PREMFLGUIDE12GRY)
- 1 ea. Installation Instructions

*parts in parenthesis available for purchase if additional are needed, see pages 65-69

TEN YEAR LIMITED WARRANTY

ONE YEAR LIMITED WARRANTY ON FINISH



Door Type	Set Type	Size	Finish	Track Length	Door Width
WD	T1	06	SS	78-3/4"	36"
WD	T1	08	SS	98-7/16"	48"
WD	T1	06	DB	78-3/4"	36"
WD	T1	08	DB	98-7/16"	48"

Item	SS	DB
PREMSLDWDT106	•	•
PREMSLDWDT108	•	•

Premium Sliding Barn Door Hardware Set Design Kit

Wood Type 1 Soft Close



FEATURES:

- Designed for Wood Doors 1-3/4" & 1-3/8" thick
Top-mounted hardware
Door weight up to 176 pounds per door
- Materials:
304 Stainless steel track
304 Stainless steel carriers with nylon Coated Rollers
- Product Standards:
Product designed and tested to follow ANSI Grade 1 Standards
- Finishes Available:
Brushed stainless steel

Kits Include:

- 1 ea. Track with Wall Brackets
- 2 ea. Carriers (WDT1CARRIERSS)
- 2 ea. Track Stops (PREMSTOP03SS)
- 1 ea. Door Bottom Guide (PREMFLGUIDE03SS)
- 1 ea. Wall Mount Channel Door Guide (PREMFLGUIDE12GRY)
- 1 ea. Installation Instructions

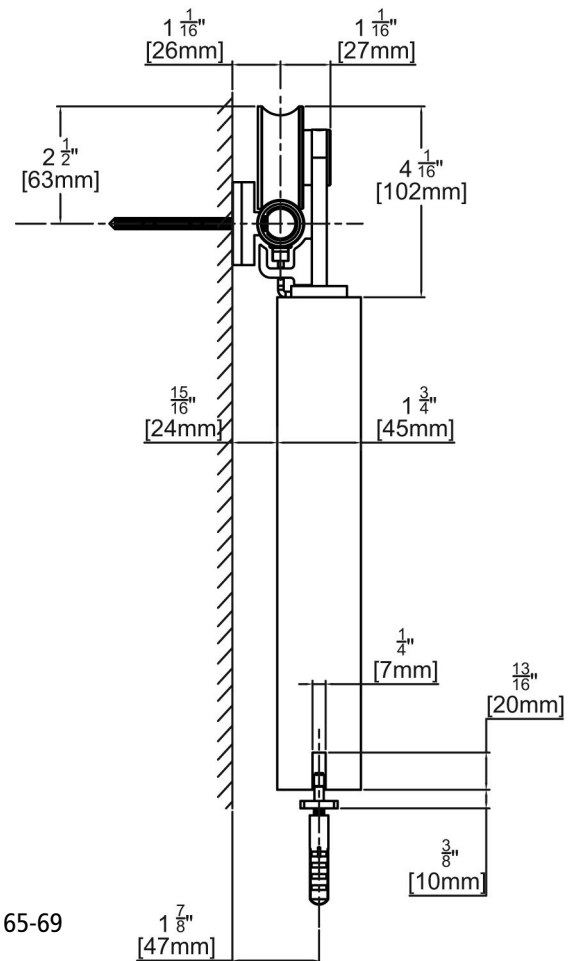
*parts in parenthesis available for purchase if additional are needed, see pages 65-69

TEN YEAR LIMITED WARRANTY

ONE YEAR LIMITED WARRANTY ON FINISH

Soft Close Mechanism

TWO YEAR LIMITED WARRANTY



Door Type	Set Type	Size	Finish	Track Length	Door Width
WD	T1SC	06	SS	78-3/4"	36"
WD	T1SC	08	SS	98-7/16"	48"

Item	SS
PRMSLDWDT106SC	•
PRMSLDWDT108SC	•

Premium Sliding Barn Door Hardware Set Design Kit

Wood Type 2



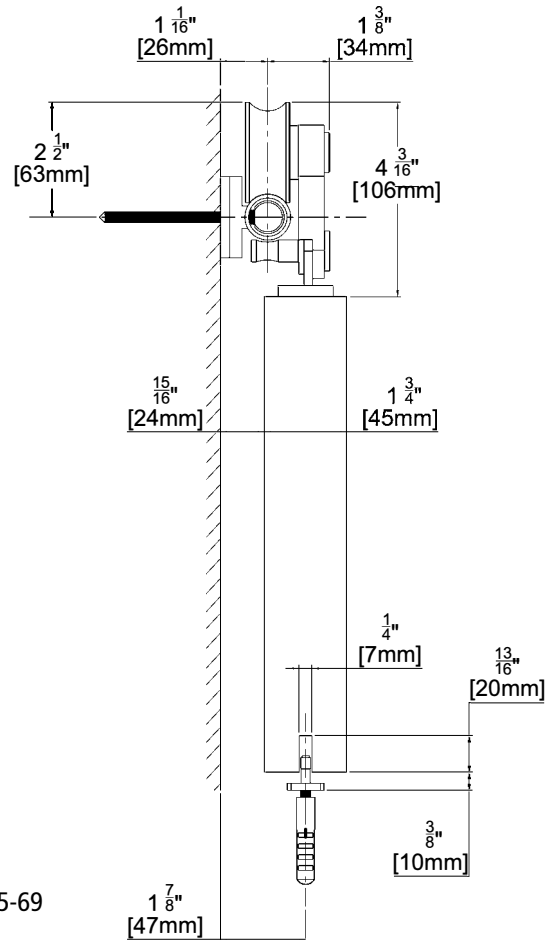
FEATURES:

- Designed for Wood Doors 1-3/4" & 1-3/8" thick
Top-mounted hardware
Door weight up to 242 pounds per door
- Materials:
304 Stainless steel track
304 Stainless steel carriers with nylon coated rollers
- Product Standards:
Product designed and tested to follow ANSI Grade 1 Standards
- Finishes Available:
Brushed stainless steel

Kits Include:

- 1 ea. Stainless steel track with stainless steel wall brackets
- 2 ea. Stainless steel carriers
- 2 ea. Stainless steel track stops (PREMSTOP07SS)
- 1 ea. Stainless steel door bottom guide (PREMFLGUIDE03SS)
- 1 ea. Wall mount channel door guide (PREMFLGUIDE12BLK)
- 1 ea. Installation instructions

*parts in parenthesis available for purchase if additional are needed, see pages 65-69



TEN YEAR LIMITED WARRANTY

ONE YEAR LIMITED WARRANTY ON FINISH

Door Type	Set Type	Size	Finish	Track Length	Door Width
WD	T2	06	SS	78-3/4"	36"
WD	T2	08	SS	98-7/16"	48"

Item	SS
PREMSLDWDT206	•
PREMSLDWDT208	•

Premium Sliding Barn Door Hardware Set Design Kit

Wood Type 4



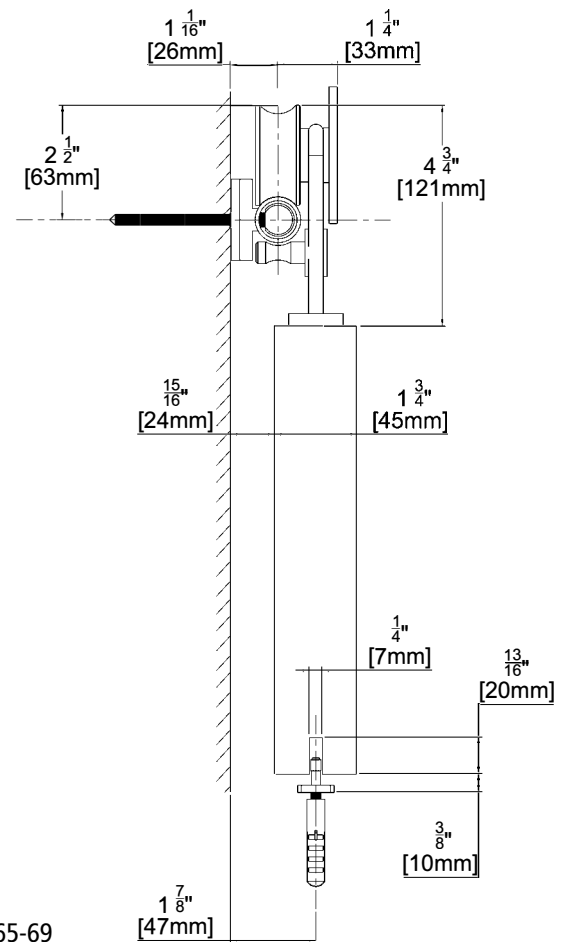
FEATURES:

- Designed for Wood Doors 1-3/4" & 1-3/8" thick
Top-mounted hardware
Door weight up to 176 pounds per door
- Materials:
304 Stainless steel track
304 Stainless steel carriers with nylon coated rollers
- Product Standards:
Product designed and tested to follow ANSI Grade 1 Standards
- Finishes Available:
Brushed stainless steel

Kits Include:

- 1 ea. Stainless steel track with stainless steel wall brackets
- 2 ea. Stainless steel carriers
- 2 ea. Stainless steel track stops (PREMSTOP24SS)
- 1 ea. Stainless steel door bottom guide (PREMFLGUIDE03SS)
- 1 ea. Wall mount channel door guide (PREMFLGUIDE12BLK)
- 1 ea. Installation instructions

*parts in parenthesis available for purchase if additional are needed, see pages 65-69



TEN YEAR LIMITED WARRANTY

ONE YEAR LIMITED WARRANTY ON FINISH

Door Type	Set Type	Size	Finish	Track Length	Door Width
WD	T4	06	SS	78-3/4"	36"
WD	T4	08	SS	98-7/16"	48"

Item	SS
PREMSLDWDT406	•
PREMSLDWDT408	•

Premium Sliding Barn Door Hardware Set Design Kit

Wood Type 5



FEATURES:

- Designed for wood doors 1-3/4" & 1-3/8" thick
Top-mounted hardware
Door weight up to 198 pounds per door
- Materials:
304 Stainless steel track
304 Stainless steel carriers with nylon coated rollers
- Product Standards:
Product designed and tested to follow ANSI Grade 1 Standards
- Finishes Available:
Brushed stainless steel
Dark bronze

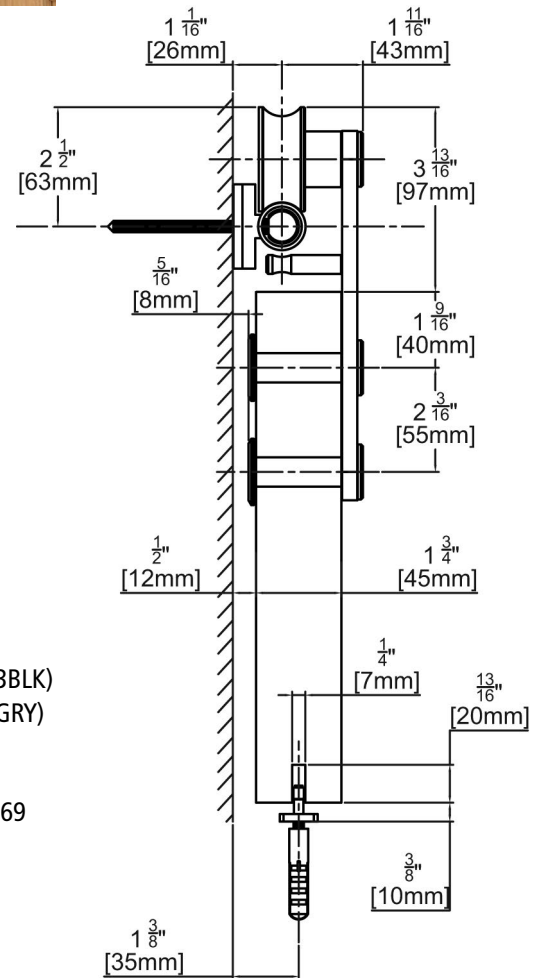
Kits Include:

- 1 ea. Stainless steel track with stainless steel wall brackets
- 2 ea. Stainless steel carriers (WDT5CARRIERSS / WDT5CARRIERDB)
- 2 ea. Stainless steel track stops (PREMSTOP03SS / PREMSTOP03DB)
- 1 ea. Stainless steel door bottom guide (PREMFLGUIDE03SS / PREMFLGUIDE03BLK)
- 1 ea. Wall mount channel door guide (PREMFLGUIDE12BLK / PREMFLGUIDE12GRY)
- 1 ea. Installation instructions

*parts in parenthesis available for purchase if additional are needed, see pages 65-69

TEN YEAR LIMITED WARRANTY

ONE YEAR LIMITED WARRANTY ON FINISH



Door Type	Set Type	Size	Finish	Track Length	Door Width
WD	T5	06	SS	78-3/4"	36"
WD	T5	08	SS	98-7/16"	48"
WD	T5	06	DB	78-3/4"	36"
WD	T5	08	DB	98-7/16"	48"

Item	SS	DB
PREMSLDWDT506	•	•
PREMSLDWDT508	•	•

American Rustic Sliding Barn Door Hardware Kit

Mini Industrial



FEATURES:

- Kit Designed for use with 1-3/4" & 1-3/8" thick wood doors
Door weight up to 286 pounds per door
- Color/Finish: Flat Black or Satin Nickel
- Wheel Type: Nylon
- Track & Hardware Kit is for 1 door
- Carriers mount to the face of the door
- Product Standards:
Product designed and tested to follow ANSI Grade 1 Standards

36" Doors – Use 80" Track Kit

48" Doors – Use 104" Track Kit

Pair Doors – Use two kits along with track coupler

Kits Include:

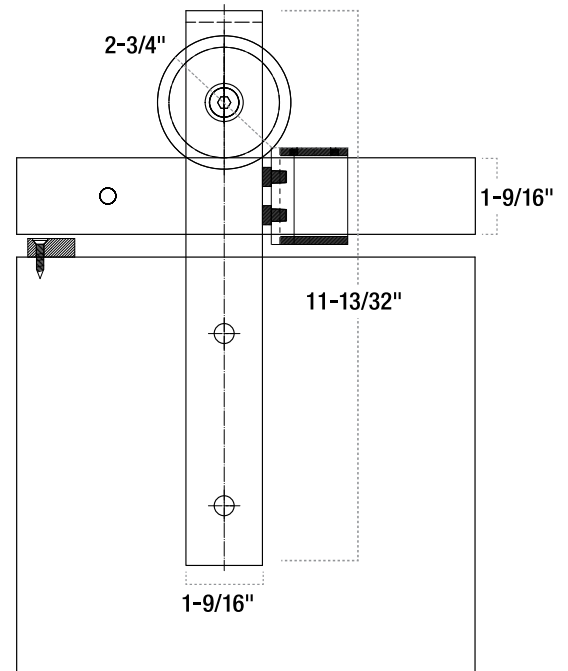
- 1 ea. Track pre-drilled for Mounting Hardware
- 2 ea. Carriers (MININDCARRIERBLK / MININDCARRIERSN)
- 2 ea. Stops (MSTOPPERBLK / MSTOPPERSN)
- 2 ea. Anti-Jump Discs (MANTIJUMPDISCBLK / MANTIJUMPDISCGRY)
- 1 ea. Floor Mounted Internal Guide (PREMFLGUIDE02BLK / PREMFLGUIDE02GRY)
- 1 ea. Wall Mount Channel Door Guide (PREMFLGUIDE12BLK / PREMFLGUIDE12GRY)
- 1 ea. Coupler (MINKITCOUPLERBLK / MINKITCOUPLERSN)
- Installation Instructions

*parts in parenthesis available for purchase if additional are needed, see pages 65-69

Note: if installing into drywall, track will require proper reinforcement inside the wall or on the surface of the wall.

TWO YEAR LIMITED WARRANTY

ONE YEAR LIMITED WARRANTY ON FINISH



Item	Length	SN	BLK
MININDKIT80	80"	•	•
MININDKIT104	104"	•	•

American Rustic Sliding Barn Door Hardware Kit

Mini Modern



FEATURES:

- Kit Designed for use with 1-3/4" & 1-3/8" thick wood doors
Door weight up to 286 pounds per door
- Color/Finish: Silver
- Wheel Type: Nylon
- Track & Hardware Kit is for 1 door

36" Doors – Use 80" Track Kit

48" Doors – Use 104" Track Kit

Pair Doors – Use two kits along with track coupler

Kits Include:

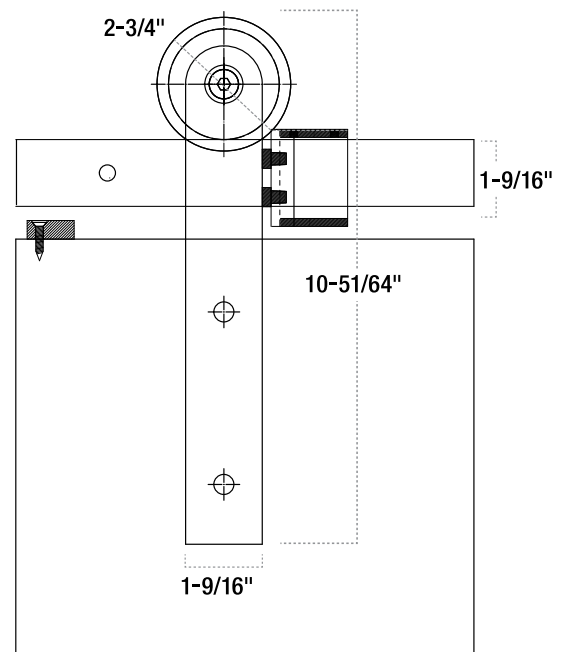
- 2 ea. Carriers
- 2 ea. Stops (MSTOPPERSLVR)
- 2 ea. Anti-Jump Discs (MANTIJUMPDISCGRY)
- 1 ea. Coupler (MINKITCOUPLERSLVR)
- 1 ea. Floor Mounted Internal Guide (PREMFLGUIDE02BLK)
- 1 ea. Wall Mount Channel Door Guide (PREMFLGUIDE12BLK)

*parts in parenthesis available for purchase if additional are needed, see pages 65-69

Note: if installing into drywall, track will require proper reinforcement inside the wall or on the surface of the wall.

TWO YEAR LIMITED WARRANTY

ONE YEAR LIMITED WARRANTY ON FINISH



Item	Length	SL
MINMODKIT80	80"	•
MINMODKIT104	104"	•

American Rustic Sliding Barn Door Hardware Kit

Mini Ultra Modern



FEATURES:

- Kit Designed for use with 1-3/4" & 1-3/8" thick wood doors
Door weight up to 286 pounds per door
- Color/Finish: Flat Black
- Wheel Type: Nylon
- Track & Hardware Kit is for 1 door

36" Doors – Use 80" Track Kit

48" Doors – Use 104" Track Kit

Pair Doors – Use two kits along with track coupler

Kits Include:

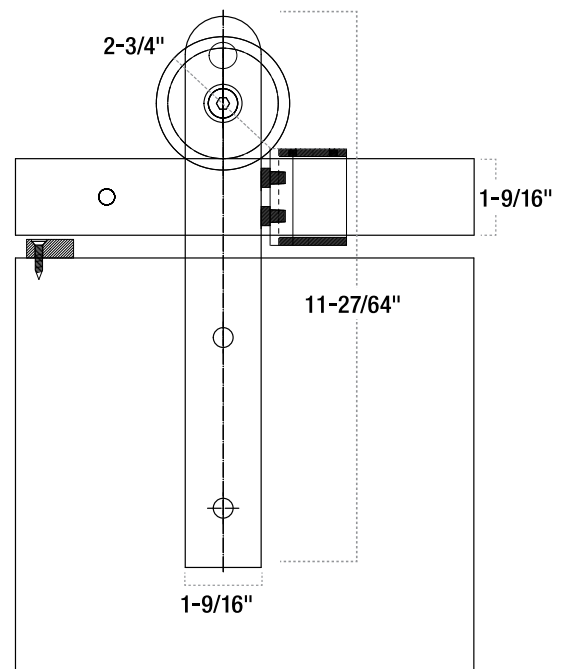
- 2 ea. Carriers (MINULTCARRIERBLK)
- 2 ea. Stops (MSTOPPERBLK)
- 2 ea. Anti-Jump Discs (MANTIJUMPDISCBLK)
- 1 ea. Coupler (MINKITCOUPLERBLK)
- 1 ea. Floor Mounted Internal Guide (PREMFLGUIDE02BLK)
- 1 ea. Wall Mount Channel Door Guide (PREMFLGUIDE12BLK)

*parts in parenthesis available for purchase if additional are needed, see pages 65-69

Note: if installing into drywall, track will require proper reinforcement inside the wall or on the surface of the wall.

TWO YEAR LIMITED WARRANTY

ONE YEAR LIMITED WARRANTY ON FINISH



Item	Length	BLK
MINULMODKIT80	80"	•
MINULMODKIT104	104"	•

DesignGlide Soft-Close Barn Door Sliding Door Hardware Kit – Satin Nickel



DesignGlide Soft-Close Barn Door Hardware can turn any standard-sized door into a barn door. No reframing or custom doors required. Create the doorway of your dreams with this easy to use patent-pending system. Our unique hardware is much more than functional, it adds a distinct touch to your barn door. And its versatile, whether you opt for modern or traditional, our hardware is the perfect accent.

FEATURES:

- Install in 4 easy steps
- 72 in. track fits 36 in. x 80 in. x 1-3/8 in. doors up to 120 lbs.
- 84 in. track fits 42 in. x 80 in. x 1-3/8 in. doors up to 120 lbs.
- Soft-close technology also keeps the door from slamming shut
- Special doors or reframing not required
- Versatile hardware works with any style door
- Door slab not included
- 5-year limited warranty

Kit includes:

- Track 72" track fits 36" x 80" x 1-3/8" doors up to 120 pounds
84" track fits 42" x 80" x 1-3/8" doors up to 120 pounds
- Top-Mounted Rolling Hardware
- Accent Rails
- Larger Finger Pull (1-1/4 In.)
- All Fastening Hardware
- Accent Hardware (Pull)
- Backerboard
- Floor Stop



Item	Length	SN
DESIGNGLIDEHDWUS1572	72"	•
DESIGNGLIDEHDWUS1584	84"	•

Sliding Barn Door Hardware – Accessories

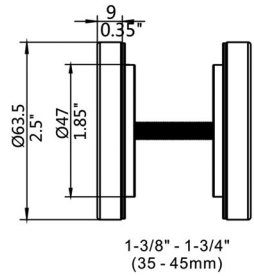
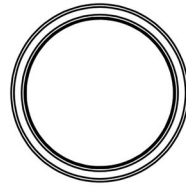
Premium Pulls



PREMPL711392WDSS



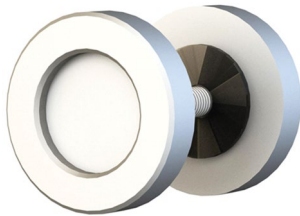
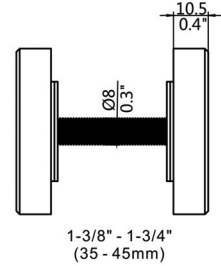
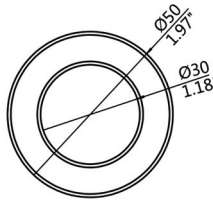
PREMPL711392WDBL



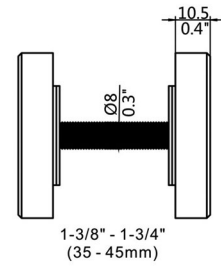
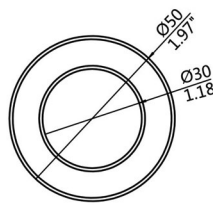
PREMPL711492WDSS



PREMPL711492WDBL



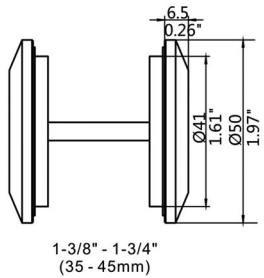
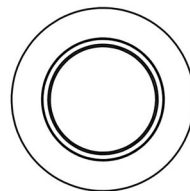
PREMPL711492WDAL



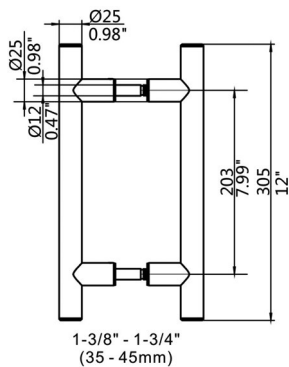
PREMPL711692WDSS



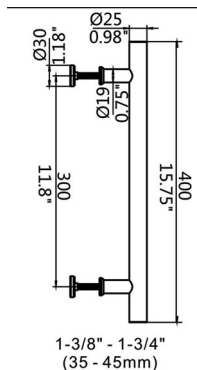
PREMPL711692WDBL



PREMPL700491WD



PREMPL708492WD



Item	SN	AL	BLK
PREMPULL711692WD	•		•
PREMPULL708492WD	•		•
PREMPULL711492WD	•	•	•
PREMPULL711392WD	•		
PREMPULL700491WD	•		•

Sliding Barn Door Hardware – Accessories

Rustic Pulls



RSTCPL71HD03W
9-9/16" H x 1-3/16" W



RSTCPL71HD05W
6-7/16" H x 1" W



RSTCPL71HD06W
6-1/2" H x 2-1/16" W



RSTCPL71HD11W
12-10/16" H x 2-3/8" W x 5/8" D



RSTCPL71HD14W
13-3/4" H x 1-15/16" W
x 9/16" D



RSTCPL71HD16W
Pull Handle
7-3/32" CTC
11-13/16" H x 1-9/16" W x 1" D
Finger Pull
8-21/32" H x 2-23/64" W



RSTCPL71HD17W
11" H

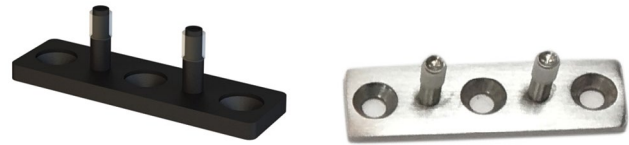
Item	SN	SS	BLK
RSTCPL71HD03W			•
RSTCPL71HD05W	•		•
RSTCPL71HD06W			•
RSTCPL71HD11W			•
RSTCPL71HD14W			•
RSTCPL71HD16W		•	•
RSTCPL71HD17W			•

Sliding Barn Door Hardware – Accessories

Guides



Floor Mounted Internal Guide
Black or Gray POM Material
PREMFLGUIDE02



Floor Mounted Guide
Black or Stainless Steel
PREMFLGUIDE03



Floor Mounted Internal Guide
Dark Bronze or Stainless Steel
PREMFLGUIDE04



U Shaped Floor Mounted Guide
Black POM Material
PREMFLGUIDE07



Steel Wall Mounted Channel Guide - 1-3/8" Only
PREMFLGUIDE09



Wall Mount Floor Guide
Black or Gray POM Material
PREMFLGUIDE12



Wall Mounted Internal Guide
Dark Bronze or Stainless Steel Bracket / POM Guide
PREMFLGUIDE17



Wall Mounted Internal Guide
Dark Bronze or Stainless Steel
PREMFLGUIDE18

Item	GY	SS	DB	BLK
PREMFLGUIDE02	•			•
PREMFLGUIDE03		•		•
PREMFLGUIDE04		•	•	
PREMFLGUIDE07				•
PREMFLGUIDE09			•	
PREMFLGUIDE12	•			•
PREMFLGUIDE17		•	•	
PREMFLGUIDE18		•	•	

Sliding Barn Door Hardware – Accessories

Misc.



Premium Track Connector
PREMCONNECTOR



Premium End Cap
PREMENDCAP



Premium Clamp Fixture
PREMCLAMPFIX08



Premium Track Stop
PREMSTOP03



Premium Track Stop
PREMSTOP07



Premium Track Stop
PREMSTOP24



Barn Door Latch

(Pictured: BRNDRLATCH722092SS)



Premium Spacer Bracket
adds 1/4" clearance
PREMSPACERBRKT

Item	SS	DB	BLK
PREMCONNECTOR	•	•	
PREMENDCAP	•	•	
PREMCLAMPFIX08	•	•	
PREMSTOP03	•	•	
PREMSTOP07	•	•	
PREMSTOP24	•	•	
BRNDRLATCH722092	•		
BRNDRLATCH722126			•
PREMSPACERBRKT	•		•

Sliding Barn Door Hardware – Accessories

Misc.



Mini/Rustic Field Installable Soft-Close Mechanism
(sold as pair)
MINSOFTCLOSE



Anti Jump Disc
MANTIJUMPDISC



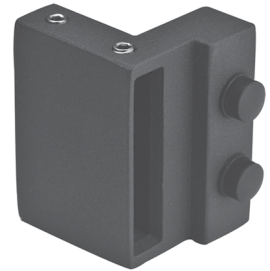
Spacer Bracket
MINISPACERADJBRKT
(for mini series)
adjusts from 1-3/4" – 2-1/2"



Standoff
MSTANDOFF



Coupler
MINKITCOUPLER



Stopper
MSTOPPER

Carriers



WDT1CARRIER
(shown in SS)



WDT5CARRIER
(shown in SS)



MINULTCARRIER
(shown in BLK)



MININDCARRIER
(shown in BLK)

Item	GY	SL	BLK
MINSOFTCLOSE	•		•
MANTIJUMPDISC	•		•
MINISPACERADJBRKT		•	•

Item	SN	SL	BLK
MSTANDOFF	•	•	•
MINKITCOUPLER	•	•	•
MSTOPPER	•	•	•

Item	Series	SN	SS	DB	BLK
WDT1CARRIER	PREMIUM		•	•	
WDT5CARRIER	PREMIUM		•	•	
MINULTCARRIER	AMERICAN RUSTIC				•
MININDCARRIER	AMERICAN RUSTIC	•			•



LIMITED LIFETIME WARRANTY

Locks include: ASIL, ML, LHV and LSV series, Closers include: DC40, DC70, DC851 series, Exit Devices include: ED701 series, Hinges include: All commercial grade. EXCEPTIONS for all categories: Electrified products.

Subject to the limitations of liability set forth below, American Building Supply Inc. warrants to purchasers that the mechanical door hardware products which the company sells under the Doormerica Hardware name are free from mechanical defects in workmanship and materials under normal use and regular service and maintenance for a period of the useful life of the building in which originally installed. Warranty on finish is 3-years with the EXCEPTION of 10B/613 Finish.

THIS IS THE SOLE AND EXCLUSIVE WARRANTY GIVEN BY THE COMPANY WITH RESPECT TO THE PRODUCTS AND IS IN LIEU OF ANY AND ALL OTHER WARRANTIES, EXPRESS OR IMPLIED, ARISING BY OPERATION OF LAW, ORDINANCE OR OTHERWISE, ALL IMPLIED WARRANTIES, INCLUDING BUT NOT LIMITED TO THE WARRANTIES OF MERCHANTABILITY, NONINFRINGEMENT, AND FITNESS FOR A PARTICULAR PURPOSE, ARE HEREBY EXCLUDED.

This warranty does not cover defects or damage arising from improper installation, incorrect application, any product installed in a hostile environment causing premature corrosion or wear and tear, lack of or improper maintenance, improper storage, shipping and handling, ordinary wear and tear, misuse, abuse, accident, unauthorized service, or use with unauthorized products or parts or an act of God.

The sole and exclusive liability of American Building Supply Inc. under this warranty or otherwise, shall be limited to the repair or replacement of any product or component part which shall prove defective to the original purchaser from the company. The company will not pay for the costs or repair performed other than in accordance with this warranty. THE COMPANY SHALL NOT BE LIABLE FOR DAMAGES CAUSED BY DELAY IN PERFORMANCE AND IN NO EVENT, REGARDLESS OF THE FORM OF THE CLAIM OR CAUSE OF ACTION (WHETHER BASED ON CONTRACT, INFRINGEMENT, NEGLIGENCE, STRICT LIABILITY, OTHER TORT OR OTHERWISE), SHALL THE COMPANY'S LIABILITY TO PURCHASER AND/OR ITS CUSTOMERS EXCEED THE PRICE PAID BY PURCHASER FOR THE SPECIFIC PRODUCTS PROVIDED BY THE COMPANY GIVING RISE TO THE CLAIM OR CAUSE OF ACTION. PURCHASER AGREES THAT IN NO EVENT SHALL THE COMPANY'S LIABILITY TO PURCHASER AND/OR ITS CUSTOMERS EXTEND TO INCLUDE INCIDENTAL, CONSEQUENTIAL OR PUNITIVE DAMAGES RESULTING FROM USE OF THESE PRODUCTS, OR ARISING OUT OF ANY BREACH OF THIS WARRANTY. The term "consequential damages" shall include, but not be limited to, loss of anticipated profits, business interruption, loss of use or revenue, cost of capital or loss or damage to property or equipment. The foregoing limitations and exclusions are intended to be effective to the maximum extent permitted by law. This warranty is governed by the law of the State of California without regard to its conflicts of law principles. The company and purchaser agree that the United Nations Convention on Contracts for the International Sale of Goods and the United Nations Convention on the Limitation Period in the International Sale of Goods shall not apply to sales of the products covered by this warranty.

Written notice of a product believed to be defective as covered by this warranty should be sent to American Building Supply Inc. Attention DOORMERICA HARDWARE WARRANTY 6300 South Watt Ave. Sacramento, CA 95828 USA, within 30 days from the discovery of the alleged defects, and should include the purchaser's name and address, identification of the product, and brief description of the defect. Upon receipt of such notice, the company will inform the purchaser where to ship such product, shipping charges prepaid, for examination. In the event such examination reveals a defect covered by this warranty, the Company will, at its own option, repair or replace the product, and return it or the replacement to the purchaser, with charge only for transportation.



888-454-2888
doormerica.com